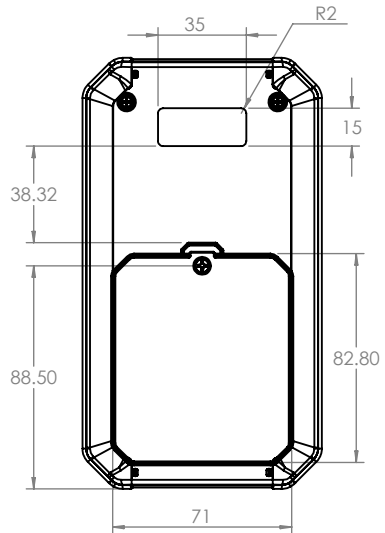
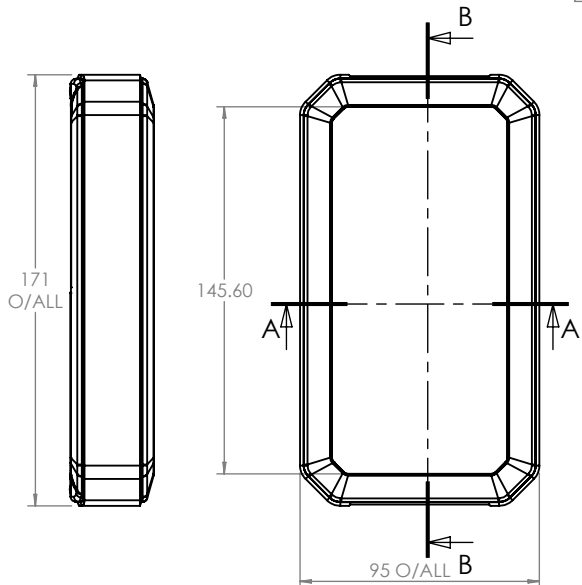
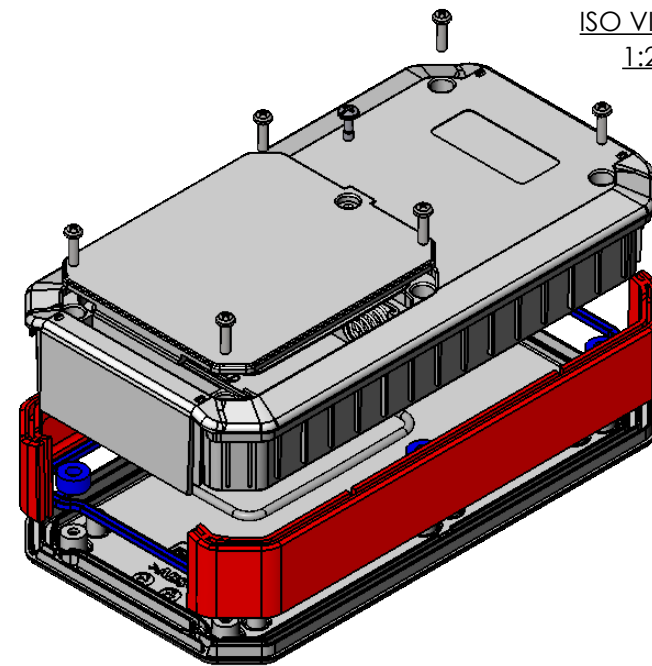


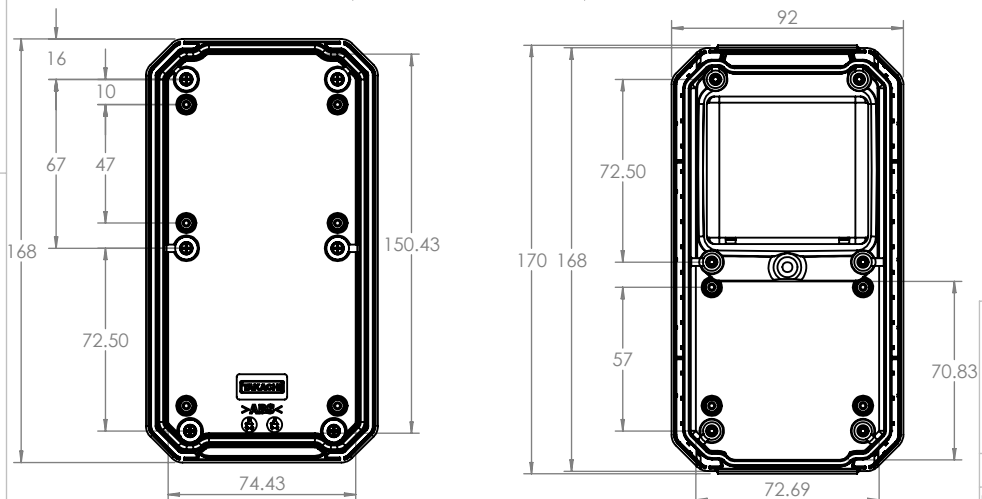
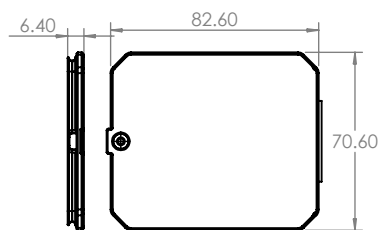
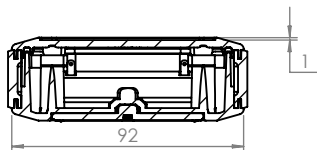
SECTION B-B




ISO VIEW  
1:2



SECTION A-A



 <b>CAMDENBOSS</b> JAMES CARTER RD, MILDENHALL, SUFFOLK. IP28 7DE TEL: 01638 716101 FAX: 01638 716554 EMAIL: Sales@CamdenBoss.com WEB: www.CamdenBoss.com				UNLESS OTHERWISE SPECIFIED: DIMENSIONS ARE IN MILLIMETERS		DO NOT SCALE DRAWING		REVISION. O	
				GENERAL TOLERANCES +/- 0.2		TITLE: <b>90 SERIES FOR BOX, SIZE 7, 171x93x33</b>			
				FINISH: FINE TEXTURE		DWG NO.		A4	
				MATERIAL: <b>ABS UL94-V0</b>		<b>CHH907FWR</b>			
DRAWN	I.ALSAHEB	IMS	03/10/17	PROJECTION.		SCALE: 2:6		SHEET 1 OF 1	
CHK'D	DAN SMALLEY	DS	03/10/17						