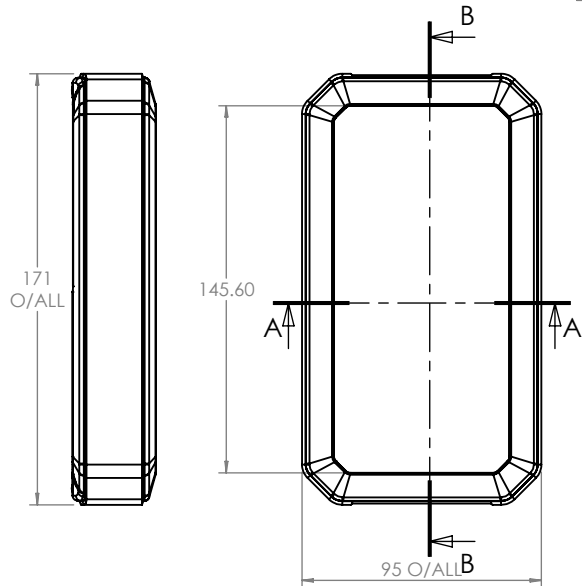
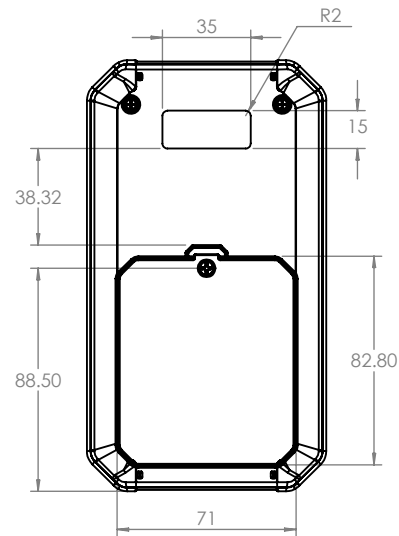
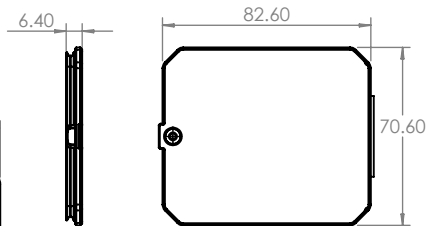
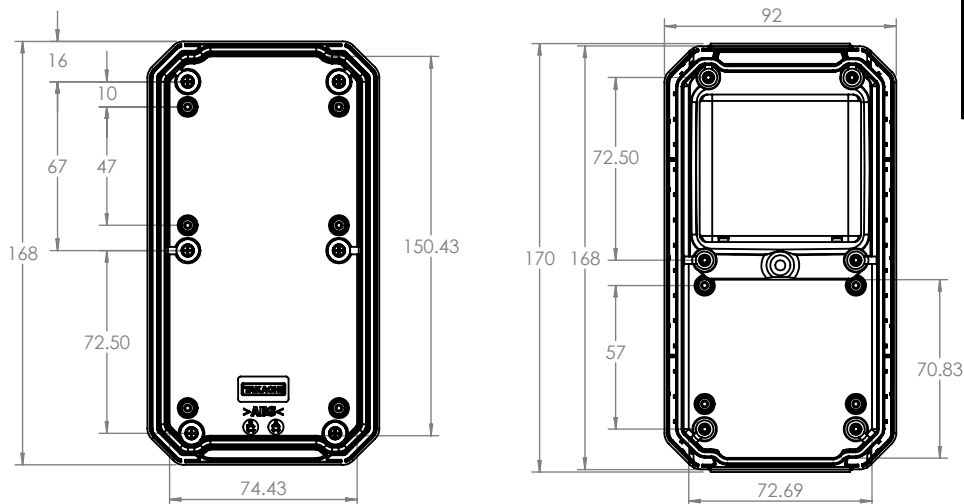
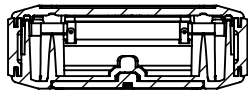


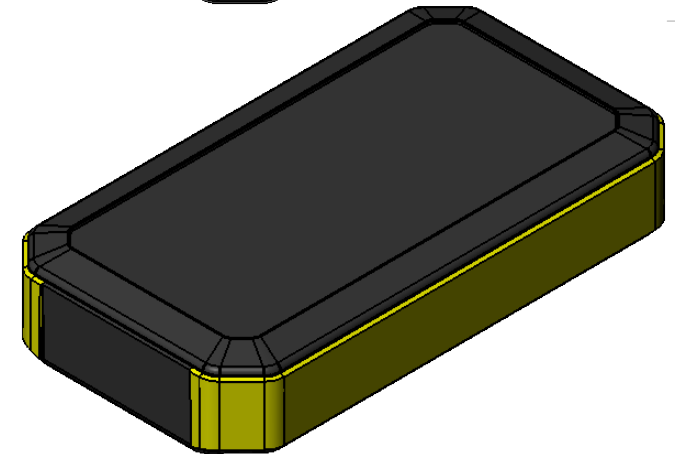
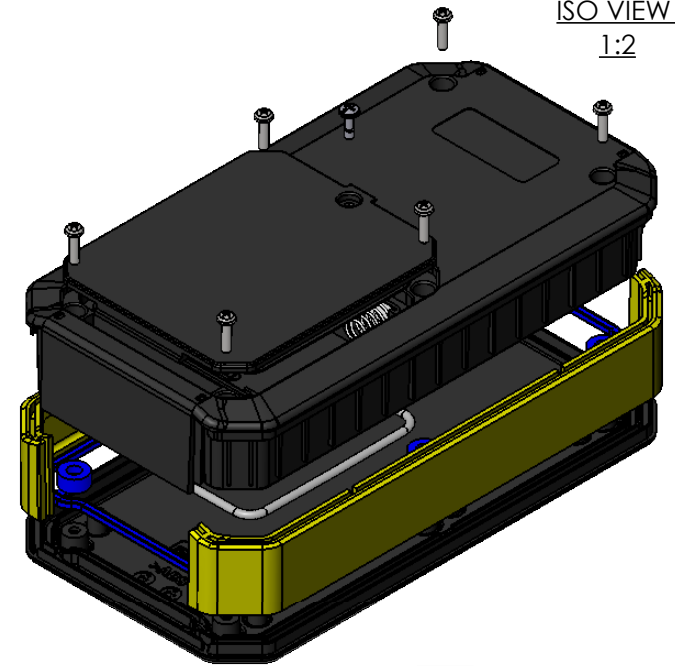
SECTION B-B




SECTION A-A



ISO VIEW
1:2



 CAMDENBOSS JAMES CARTER RD, MILDENHALL, SUFFOLK. IP28 7DE TEL: 01638 716101 FAX: 01638 716554 EMAIL: Sales@CamdenBoss.com WEB: www.CamdenBoss.com				UNLESS OTHERWISE SPECIFIED: DIMENSIONS ARE IN MILLIMETERS	DO NOT SCALE DRAWING	REVISION. 0
				GENERAL TOLERANCES +/- 0.2	TITLE: 90 SERIES FOR BOX, SIZE 7 171x93x33	
DRAWN I.ALSAHEB IMS 03/10/17			FINISH FINE TEXTURE	DWG NO.	CHH907FBY	A4
CHK'D DAN SMALLEY DS 03/10/17			MATERIAL. ABS UL94-V0	SCALE: 2:6		
				PROJECTION.	SHEET 1 OF 1	