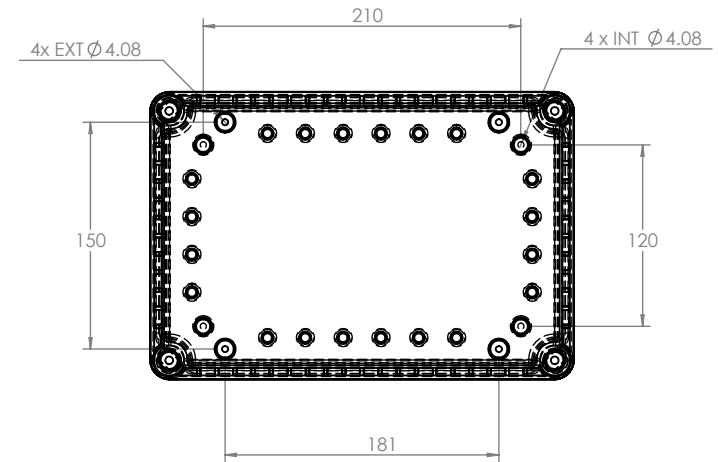


SECTION B-B



PART NUMBER	DESCRIPTION
CHDX7-226	POLYCARB, SOLID LID
CHDX7-226C	POLYCARB, TRANSPARETN LID
CHDX7-326	ABS, SOLID LID
CHDX7-326C	ABS, TRANSPARENT LID

**CAMDENBOSS**  
 CONNECT. ENCLOSE. INNOVATE.  
 JAMES CARTER RD, MILDENHALL, SUFFOLK. IP28 7DE  
 TEL: 01638 716101 FAX: 01638 716554  
 EMAIL: Sales@CamdenBoss.com  
 WEB: www.CamdenBoss.com

UNLESS OTHERWISE SPECIFIED:  
 DIMENSIONS ARE IN MILLIMETERS

FINISH:  
 CLEAN AND BURR FREE

COLOUR:  
 LIGHT GREY

MATERIAL:  
 SEE TABLE

PROJECTION:

GENERAL TOLERANCES +/- 0.2	REVISION: <input type="checkbox"/>
TITLE: X7 SERIES HEAVY DUTY 280x190x130	
DWG NO. CHDX7-280x190x130	A4
SCALE: 1:5	SHEET 1 OF 1
DO NOT SCALE DRAWING	

	NAME	SIGNED	DATE
DRAWN	IAN PAGANO	I.P.	04/03/19
CHKD	-	-	-