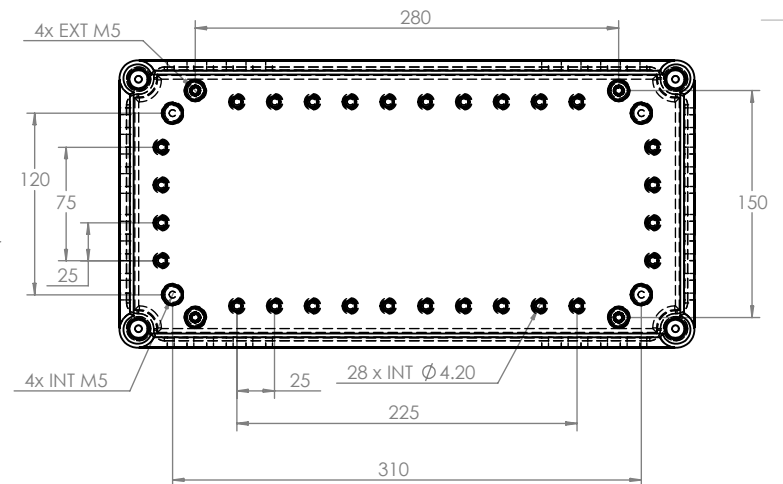


SECTION A-A



PART NUMBER	DESCRIPTION
CHDX7-223	POLYCARB, SOLID LID
CHDX7-223C	POLYCARB, TRANSPARETN LID
CHDX7-323	ABS, SOLID LID
CHDX7-323C	ABS, TRANSPARENT LID

CAMDENBOSS
CONNECT. ENCLOSE. INNOVATE.

JAMES CARTER RD, MILDENHALL, SUFFOLK. IP28 7DE
TEL: 01638 716101 FAX: 01638 716554
EMAIL: Sales@CamdenBoss.com
WEB: www.CamdenBoss.com

	NAME	SIGNED	DATE
DRAWN	IAN PAGANO	I.P.	05/03/19
CHK'D	-	-	-

UNLESS OTHERWISE SPECIFIED:
DIMENSIONS ARE IN MILLIMETERS

FINISH:
CLEAN AND BURR
FREE

COLOUR:
LIGHT GREY

MATERIAL:
SEE TABLE

PROJECTION.

GENERAL TOLERANCES +/- 0.2

REVISION. ○

TITLE: X7 SERIES HEAVY DUTY
380x190x180

DWG NO. CHDX7-380x190x180 A4