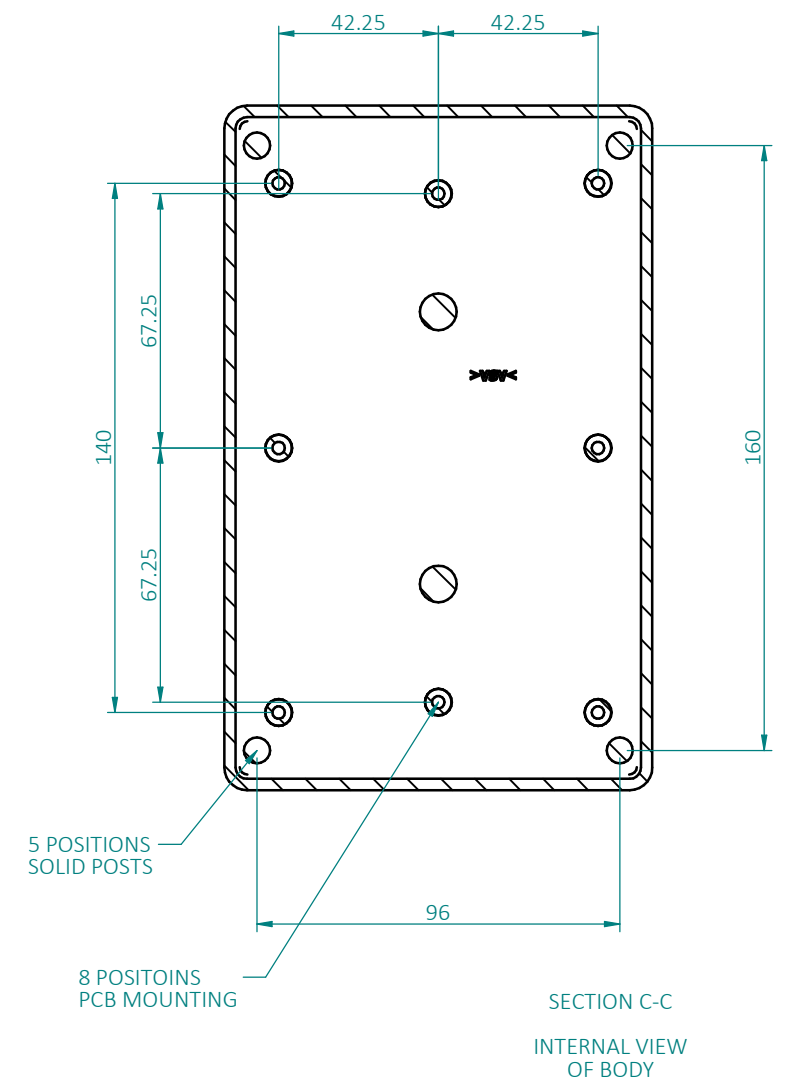
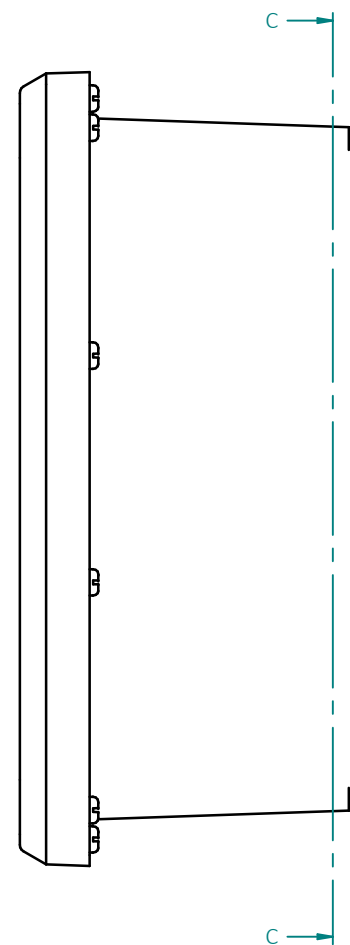
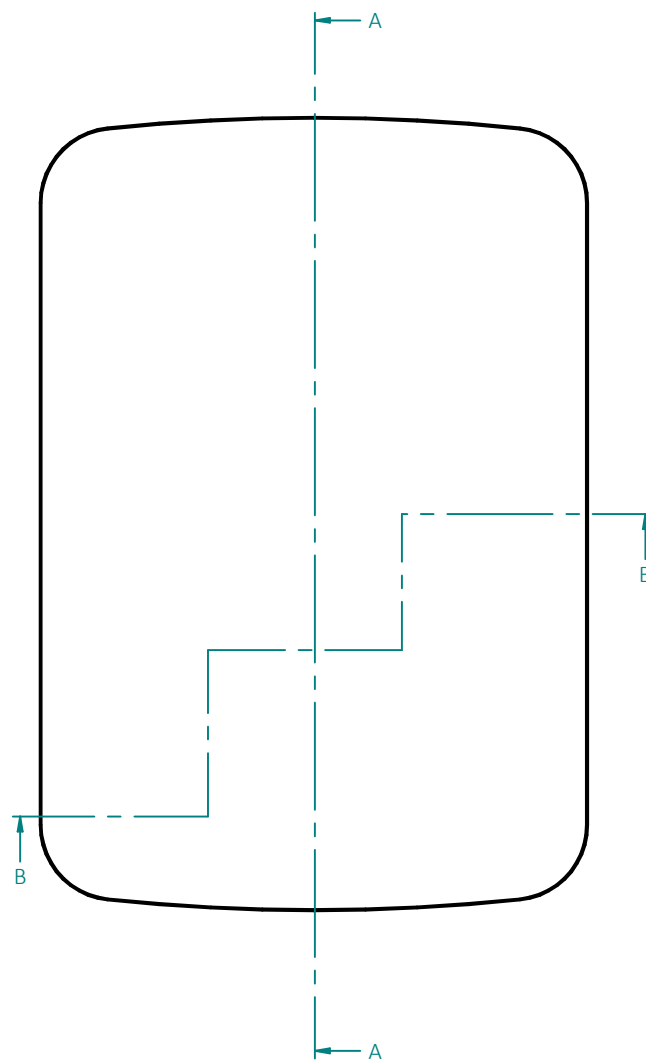
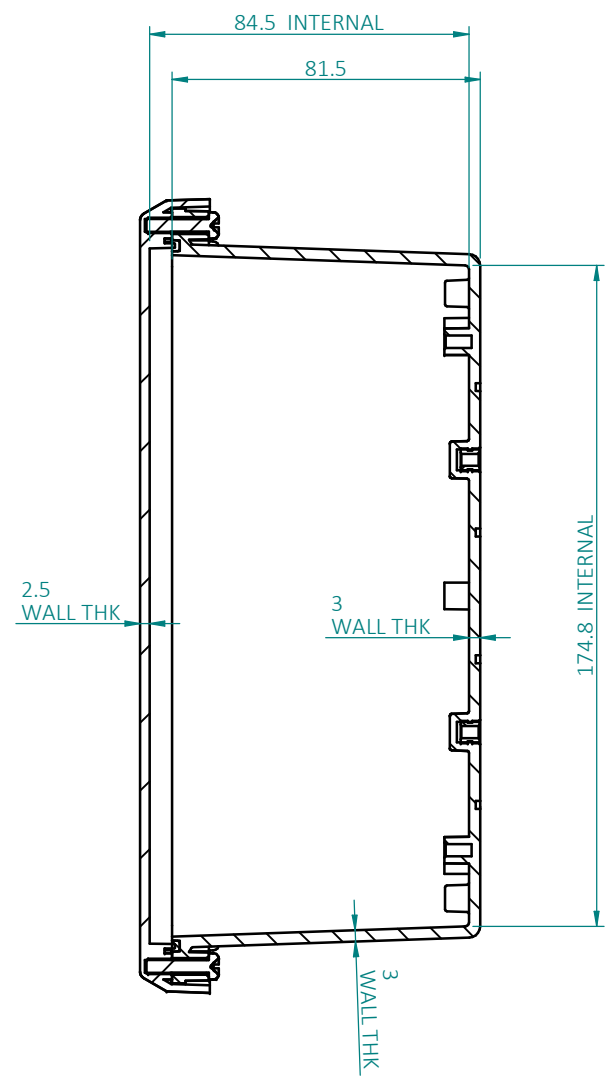
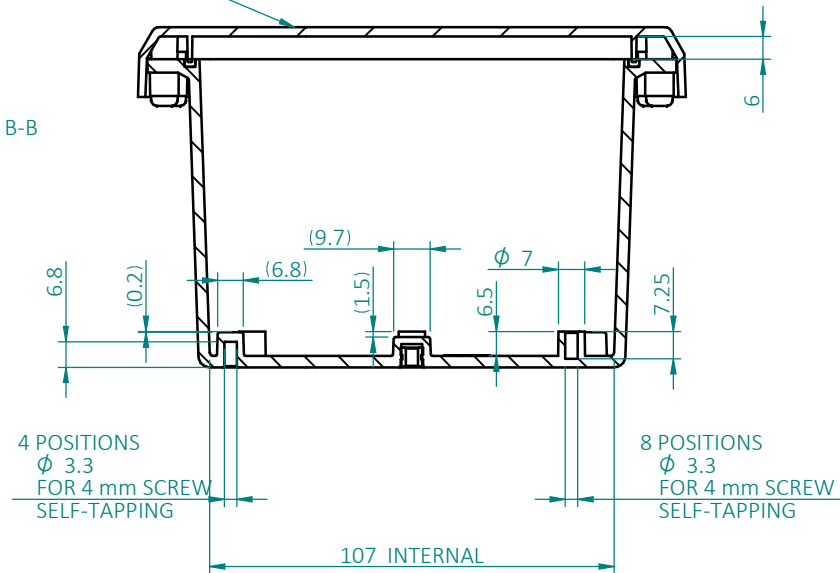


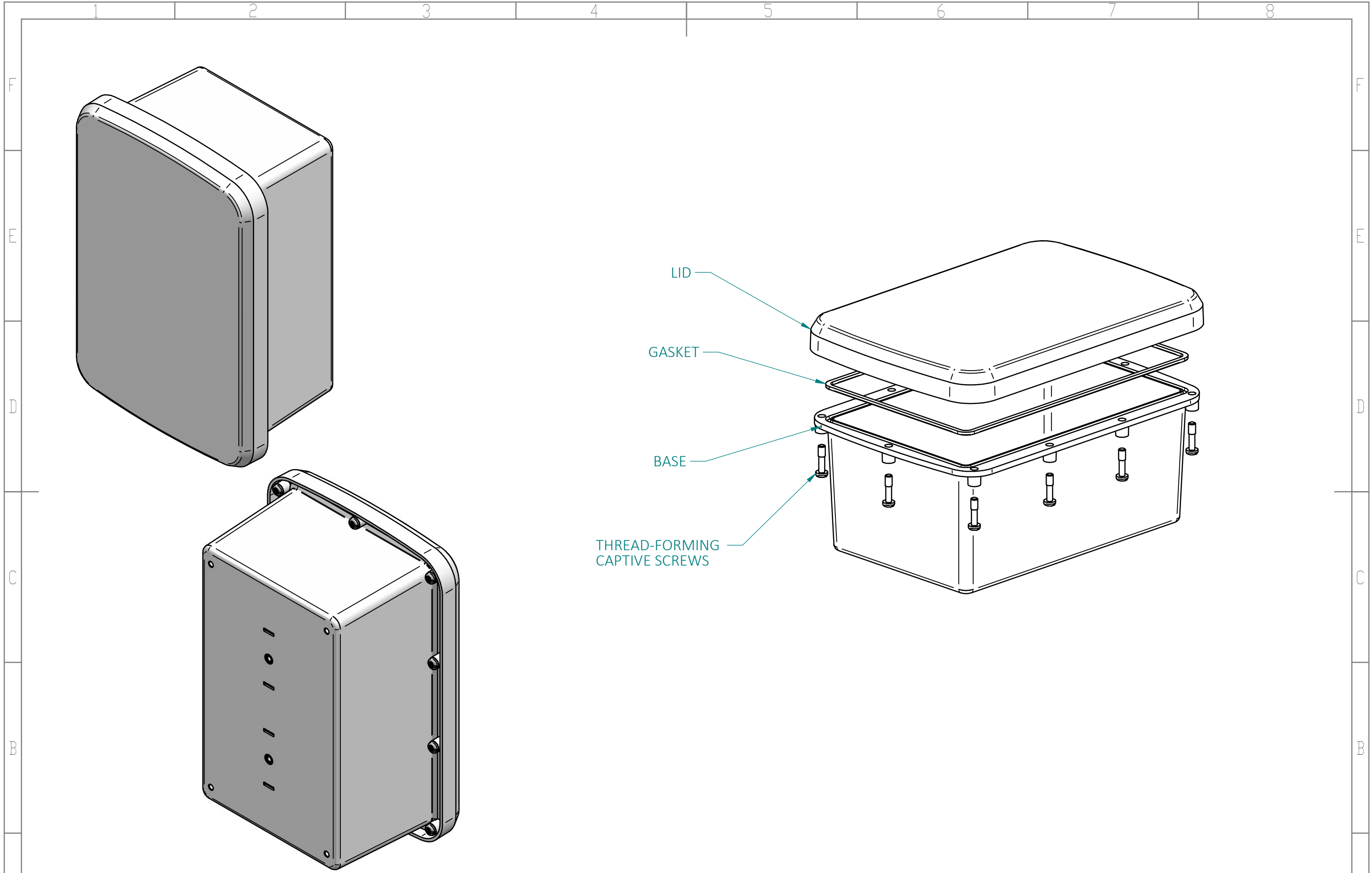
REVISION	DATE	ECR	DESCRIPTION	IPAGAND NAME	S.HARDINGE CHECKED	 CAMDENBOSS CONNECT. ENCLOSE. INNOVATE.	COLOUR: OFF WHITE	GAUGE:	DO NOT SCALE DRAWING DEBURR AND BREAK SHARP EDGES	SCALE: 1:2
1	12/12/22	-	FIRST DRAWN				FINISH: VDI:25 LIGHT SPARK	TITLE: IP68 HIGH PERFORMANCE COM BOX	SHEET 1 OF 3	A3
						DRAWING UNITS: MILLIMETERS TOLERANCES: SEE CRITICAL DIMENSIONS	PROJECTION	MATERIAL: ASA - UV RESISTANT - UL 94 HB	DWG NO: CHD7360WH	

NO PCB PILLARS IN COVER

SECTION B-B



1	2	3	4	5	6	7	8
REVISION	DATE	ECR	DESCRIPTION	NAME	CHECKED	DWG NO.	SCALE:
1	12/12/22	-	FIRST DRAWN	IPAGAND	S.HARDINGE	CHD7360WH	1:2
				DRAWING UNITS: MILLIMETERS		TITLE: IP68 HIGH PERFORMANCE COM BOX	
				TOLERANCES: SEE CRITICAL DIMENSIONS		SHEET 2 OF 3	
				PROJECTION		SCALE: A3	
				MATERIAL: ASA - UV RESISTANT - UL 94 HB			
				COLOUR: OFF WHITE		DO NOT SCALE DRAWING	
				FINISH: VDI:25 LIGHT SPARK		DEBURR AND BREAK SHARP EDGES	
				Gauge:			
				CONNECT. ENCLOSE. INNOVATE.			



-	-	-	-	-	-	 CAMDENBOSS <small>CONNECT. ENCLOSE. INNOVATE.</small>	COLOUR: OFF WHITE	GAUGE:	DO NOT SCALE DRAWING DEBURR AND BREAK SHARP EDGES	SCALE: 1:2
-	-	-	-	-	-		FINISH: VDI:25 LIGHT SPARK	TITLE: IP68 HIGH PERFORMANCE COM BOX	SHEET 3 OF 3	
1	12/12/22	-	FIRST DRAWN	IPAGAND	S.HARDINGE		DRAWING UNITS: MILLIMETERS TOLERANCES: SEE CRITICAL DIMENSIONS	MATERIAL: ASA - UV RESISTANT - UL 94 HB	DWG NO: CHD7360WH	A3
REVISION	DATE	ECR	DESCRIPTION	NAME	CHECKED	PROJECTION				