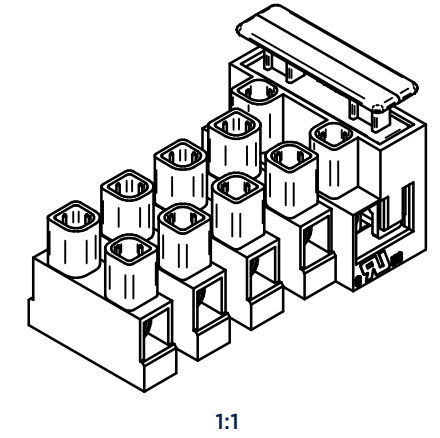
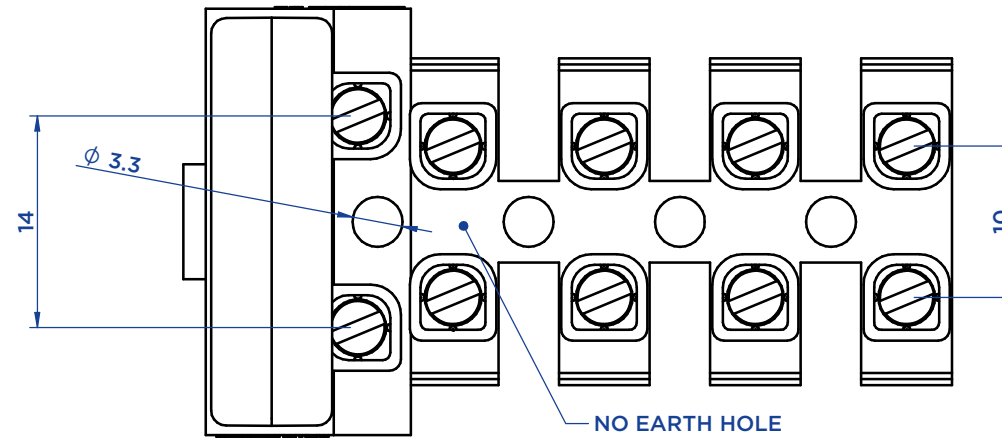
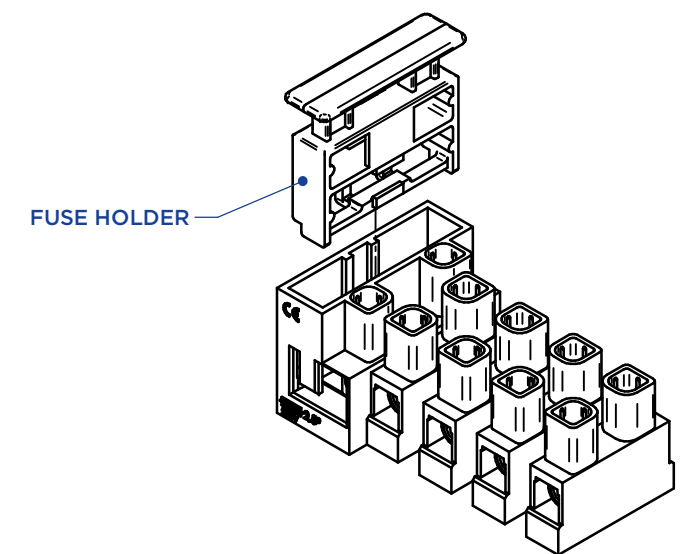
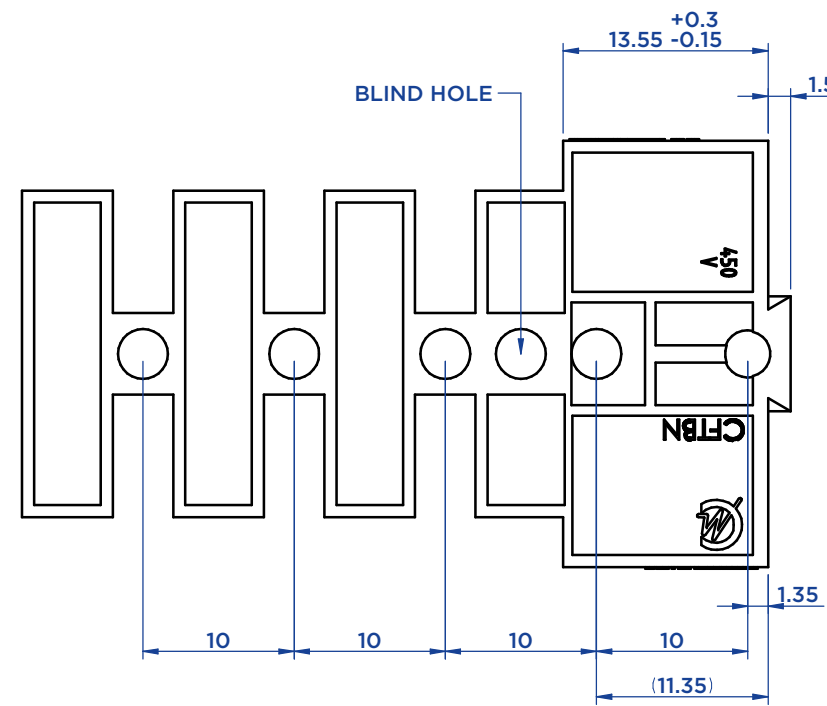
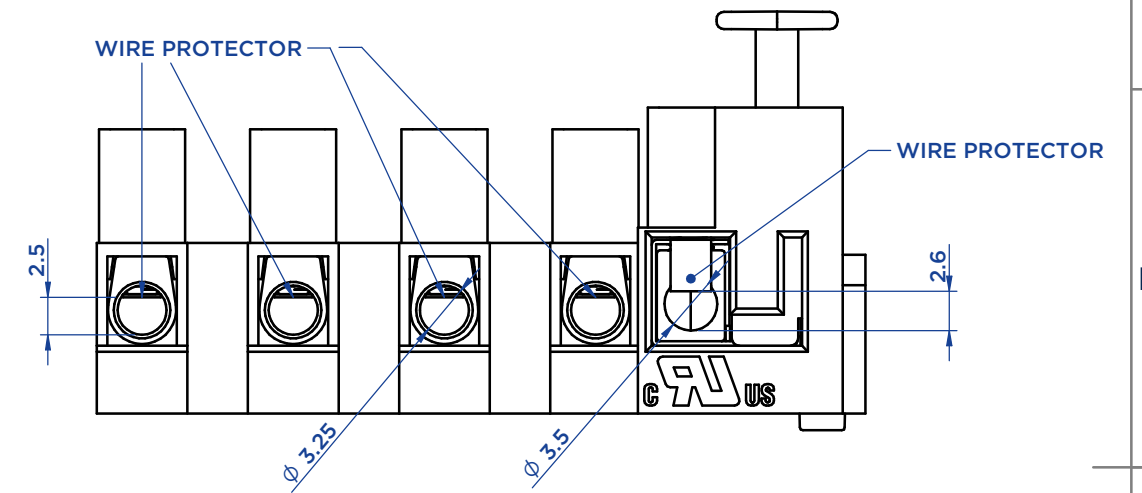
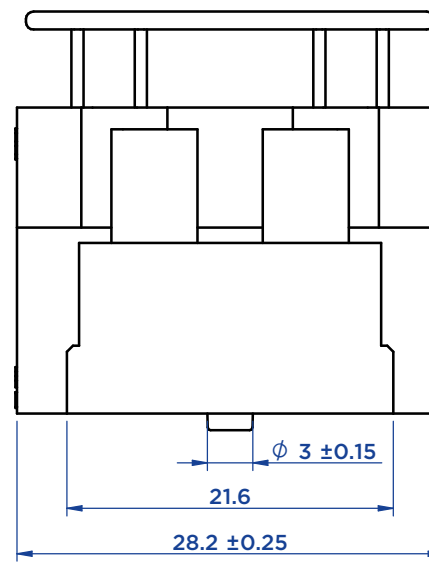
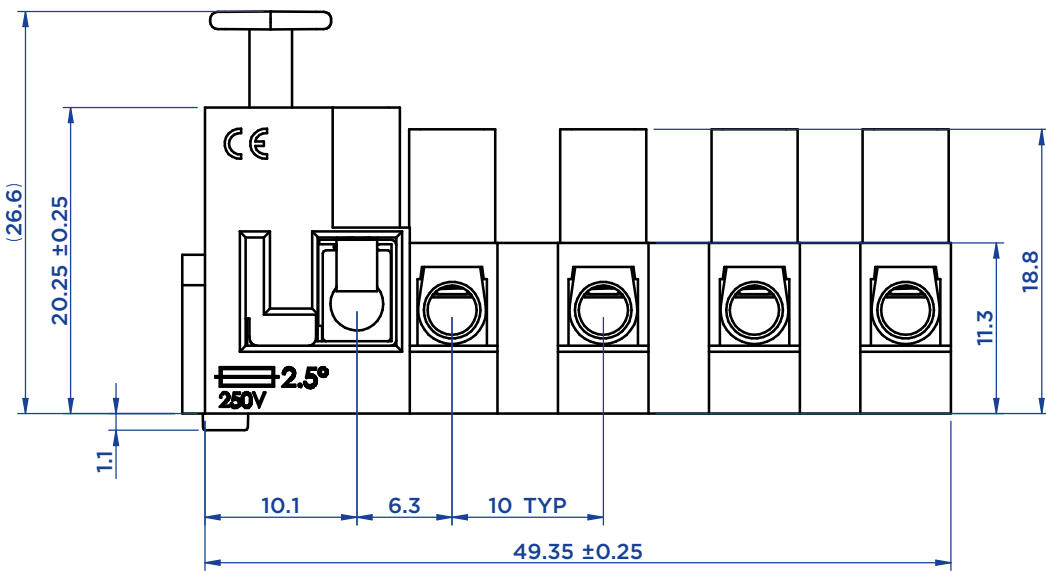


GENERAL TOLERANCE OF $\pm 0.20\text{mm}$
UNLESS OTHERWISE STATED



1:1



1:1

REVISION	DATE	INPD #	DESCRIPTION	COMPLETED BY	DRAWING UNITS: MILLIMETERS TOLERANCES: SEE CRITICAL DIMENSIONS	PROJECTION	COLOUR: LIGHT-GREY SIMILAR TO RAL 7035 FINISH: FINE TEXTURE MATERIAL: PA66, UL94 V0 @ 0.4mm GW1 775°C @ 0.8mm	GAUGE: N/A TITLE: DRAWING FOR CFTBN/4, NO EARTH HOLE, WIRE PROTECTOR ON TERMINALS DWG NO: CFTBN_5WP -D	DO NOT SCALE DRAWING DEBURR AND BREAK SHARP EDGES	SCALE: 2:1 SHEET 1 OF 1 A3
D	25/09/23	476	DIMENSIONAL REVIEW, INCLUSION OF SPIGOT, UKCA NOT ADDED TO TOOL	S. HARDINGE						
A	09/07/21		FIRST DRAWN	I.PAGANO						

A

A