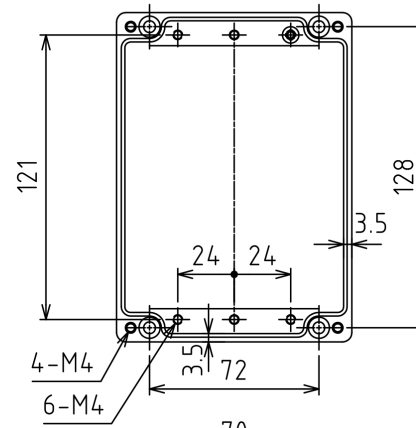
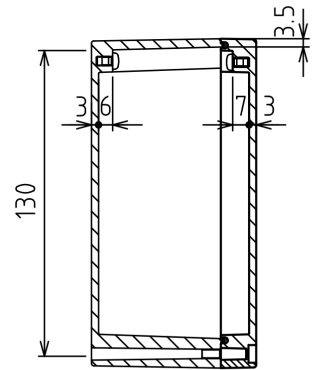


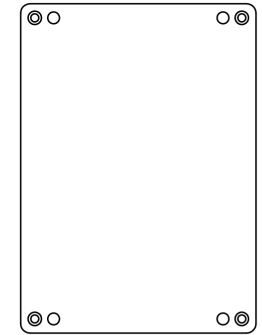
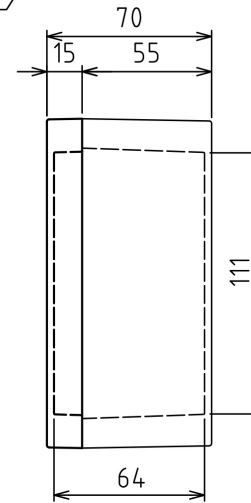
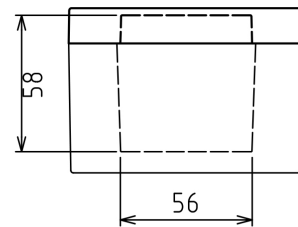
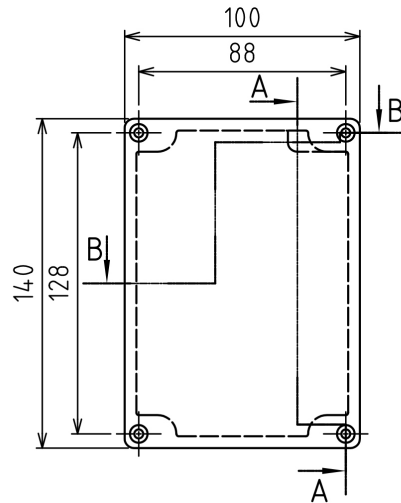
B-B





4-M4  
6-M4



A-A



 <b>CAMDENBOSS</b> JAMES CARTER RD, MILDENHALL, SUFFOLK. IP28 7DE TEL: 01638 716101 FAX: 01638 716554 EMAIL: Sales@CamdenBoss.com WEB: www.CamdenBoss.com				UNLESS OTHERWISE SPECIFIED: DIMENSIONS ARE IN MILLIMETERS		DO NOT SCALE DRAWING		REVISION. 0	
				FINISH.		TITLE: <b>GNL ASSEMBLY DRG FOR 96 SERIES</b>			
DRAWN ??		SIGNED ?		DATE ?		MATERIAL. <b>ALUMINIUM</b>		DWG NO. <b>CDM9610LG</b>	
CHKD -		-		-		PROJECTION. 		SCALE: 1 : 1	
								SHEET 1 OF 1	