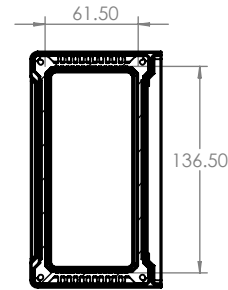
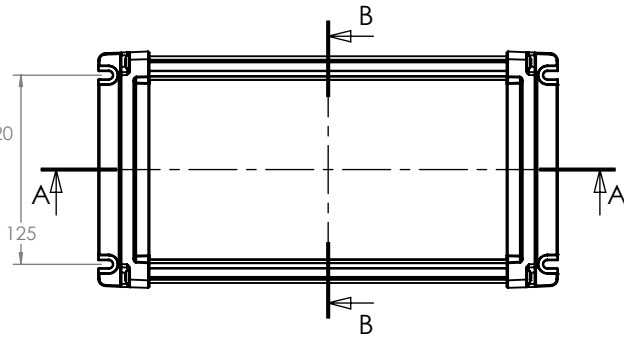
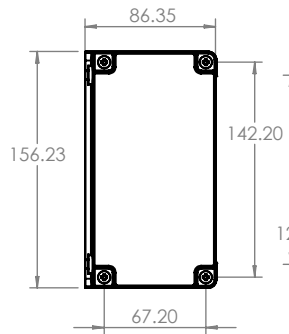
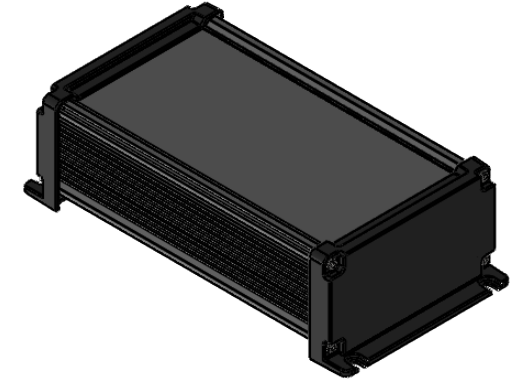
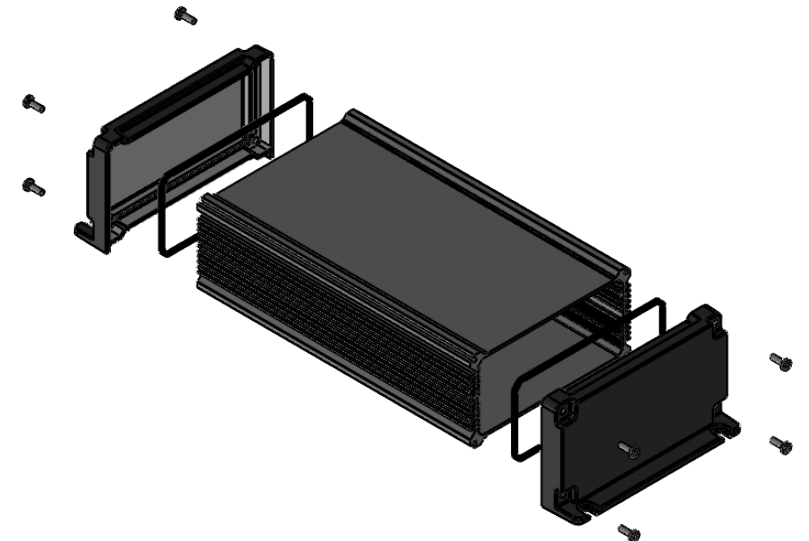
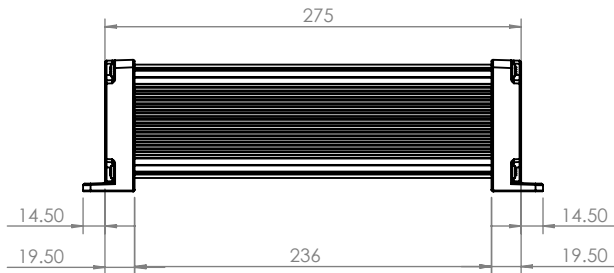


SECTION A-A



SECTION B-B



CAMDENBOSS
 CONNECT. ENCLOSE. INNOVATE.
 JAMES CARTER RD, MILDENHALL, SUFFOLK. IP28 7DE
 TEL: 01638 716101 FAX: 01638 716554
 EMAIL: Sales@CamdenBoss.com
 WEB: www.CamdenBoss.com

UNLESS OTHERWISE SPECIFIED:
 DIMENSIONS ARE IN MILLIMETERS

FINISH. SILVER ANODIZED
 POWDER COATED END
 CAPS

COLOUR.
 SILVER

GENERAL TOLERANCES +/- 0.2

REVISION. ○

TITLE: **88 SERIES FLANGED IP67 HEAT
 SINK CASES,
 SIZE 22, SILVER**

	NAME	SIGNED	DATE
DRAWN	L LETCHFORD	L.L	08/03/19
CHK'D	-	-	-

MATERIAL.
 ALUMINIUM

PROJECTION.

DWG NO. **CDM8822SL/FL**

SCALE. -

SHEET 1 OF 1

DO NOT SCALE DRAWING

A4