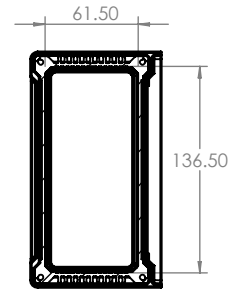
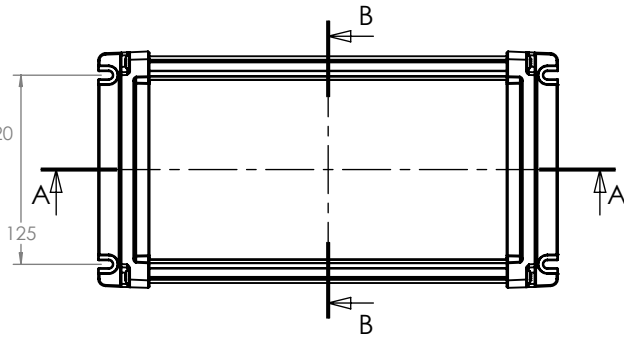
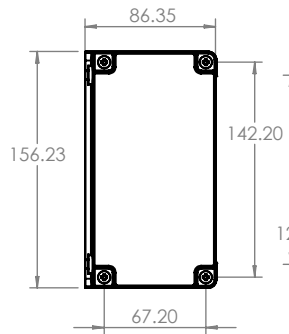
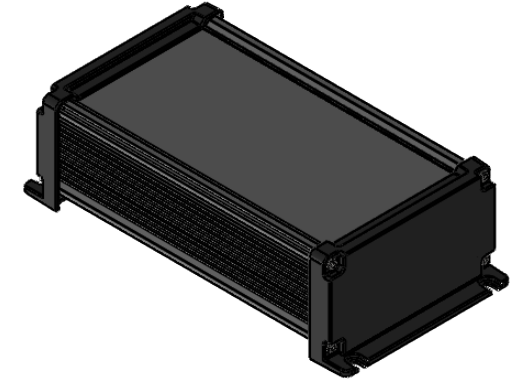
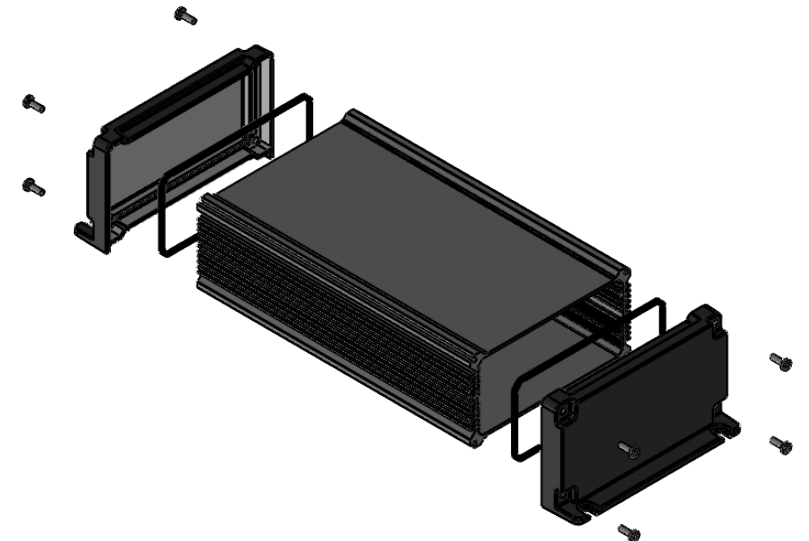
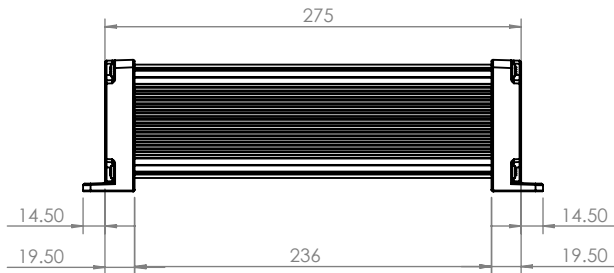


SECTION A-A



SECTION B-B




CAMDENBOSS
 CONNECT. ENCLOSE. INNOVATE.
 JAMES CARTER RD, MILDENHALL, SUFFOLK. IP28 7DE
 TEL: 01638 716101 FAX: 01638 716554
 EMAIL: Sales@CamdenBoss.com
 WEB: www.CamdenBoss.com

UNLESS OTHERWISE SPECIFIED:
 DIMENSIONS ARE IN MILLIMETERS
 FINISH: BLACK ANODIZED
 POWDER COATED END
 CAPS
 COLOUR:
 BLACK

GENERAL TOLERANCES +/- 0.2
 REVISION:
 TITLE: **88 SERIES FLANGED IP67 HEAT
 SINK CASES,
 SIZE 22, BLACK**

	NAME	SIGNED	DATE
DRAWN	L LETCHFORD	L.L	08/03/19
CHK'D	-	-	-

MATERIAL:
 ALUMINIUM
 PROJECTION: 

DWG NO. **CDM8822BK/FL** A4
 SCALE: - SHEET 1 OF 1 DO NOT SCALE DRAWING