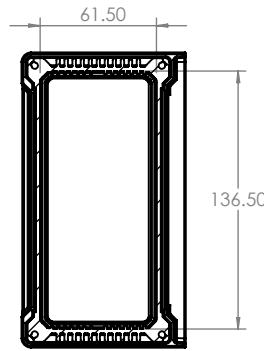
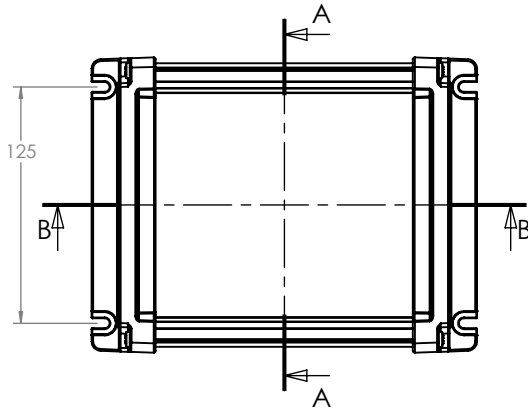
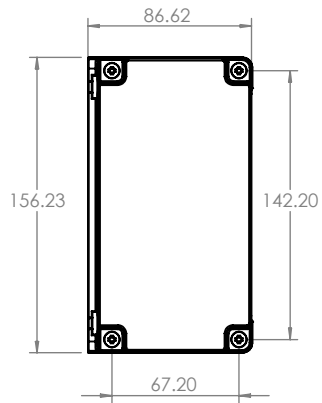
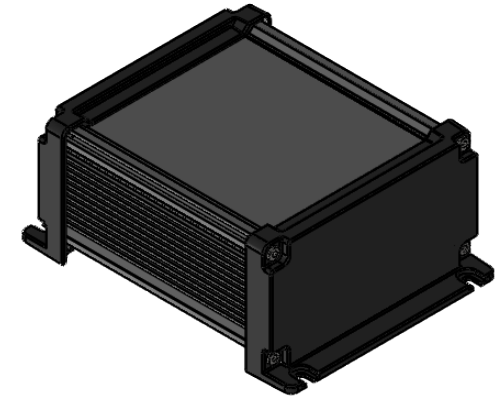
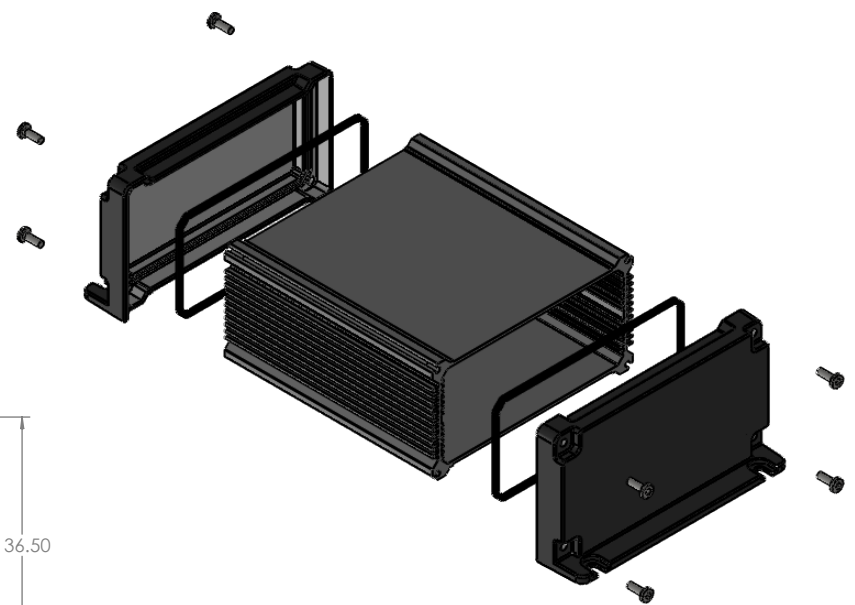
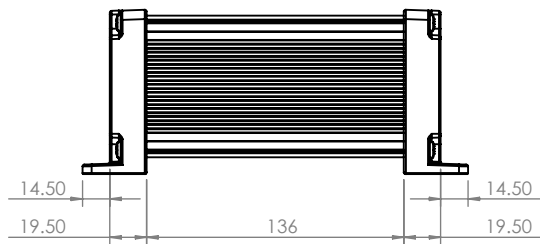


SECTION B-B



SECTION A-A



CAMDENBOSS
 CONNECT. ENCLOSE. INNOVATE.
 JAMES CARTER RD, MILDENHALL, SUFFOLK. IP28 7DE
 TEL: 01638 716101 FAX: 01638 716554
 EMAIL: Sales@CamdenBoss.com
 WEB: www.CamdenBoss.com

UNLESS OTHERWISE SPECIFIED:
 DIMENSIONS ARE IN MILLIMETERS
 FINISH. SILVER ANODIZED
 POWDER COATED END CAPS
 COLOUR. SILVER

GENERAL TOLERANCES +/- 0.2
 REVISION.
 TITLE: **88 SERIES FLANGED IP67
 HEAT SINK CASES,
 SIZE 20, SILVER**

	NAME	SIGNED	DATE
DRAWN	L LETCHFORD	L.L	08/03/19
CHKD	-	-	-

MATERIAL. ALUMINIUM
 PROJECTION.

DWG NO. **CDM8820SL/FL** A4
 SCALE. - SHEET 1 OF 1 DO NOT SCALE DRAWING