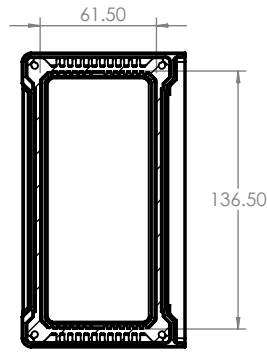
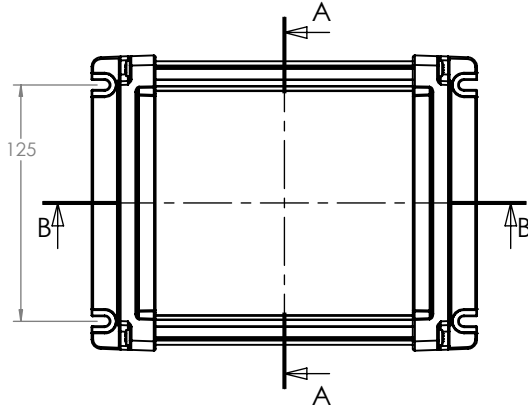
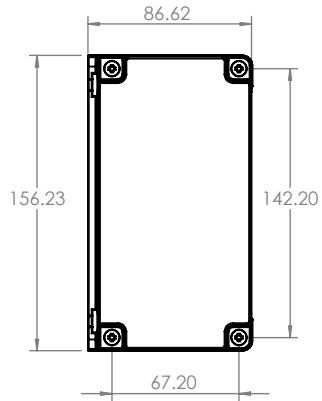
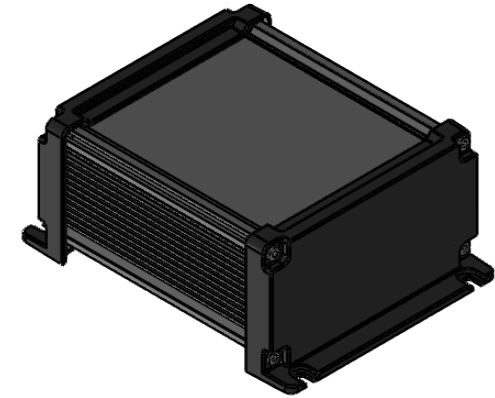
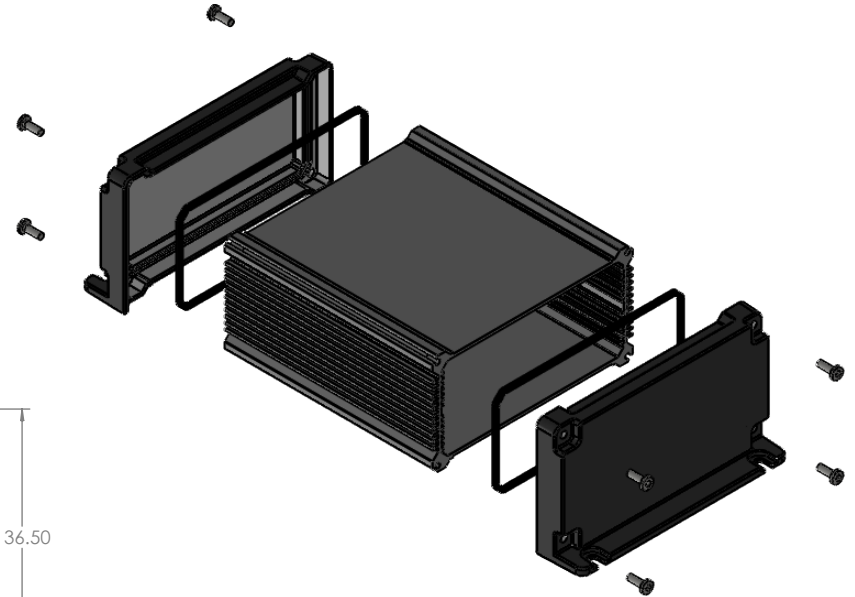
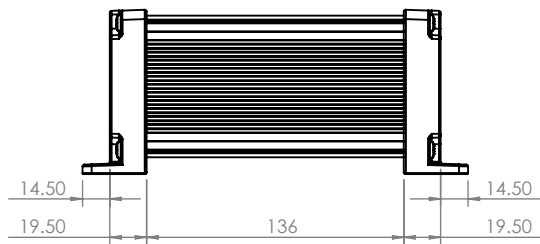


SECTION B-B



SECTION A-A



CAMDENBOSS
 CONNECT. ENCLOSE. INNOVATE.
 JAMES CARTER RD, MILDENHALL, SUFFOLK. IP28 7DE
 TEL: 01638 716101 FAX: 01638 716554
 EMAIL: Sales@CamdenBoss.com
 WEB: www.CamdenBoss.com

UNLESS OTHERWISE SPECIFIED:
 DIMENSIONS ARE IN MILLIMETERS

FINISH: BLACK ANODIZED
 POWDER COATED END CAPS

COLOUR:
 BLACK

GENERAL TOLERANCES +/- 0.2

REVISION: ○

TITLE: **88 SERIES FLANGED IP67
 HEAT SINK CASES,
 SIZE 20, BLACK**

	NAME	SIGNED	DATE
DRAWN	L LETCHFORD	L.L	08/03/19
CHKD	-	-	-

MATERIAL:
 ALUMINIUM

PROJECTION:

DWG NO. **CDM8820BK/FL**

SCALE: -

SHEET 1 OF 1

DO NOT SCALE DRAWING

A4