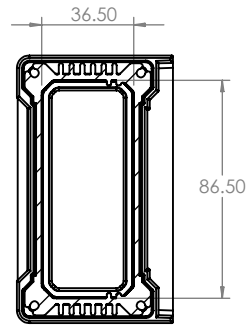
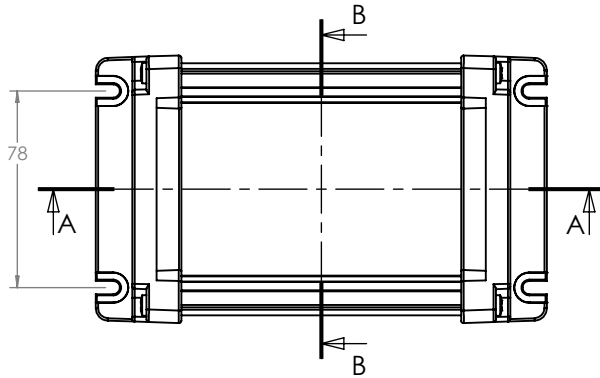
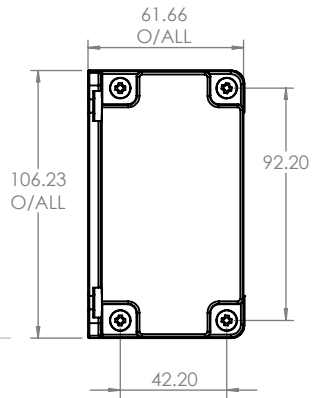
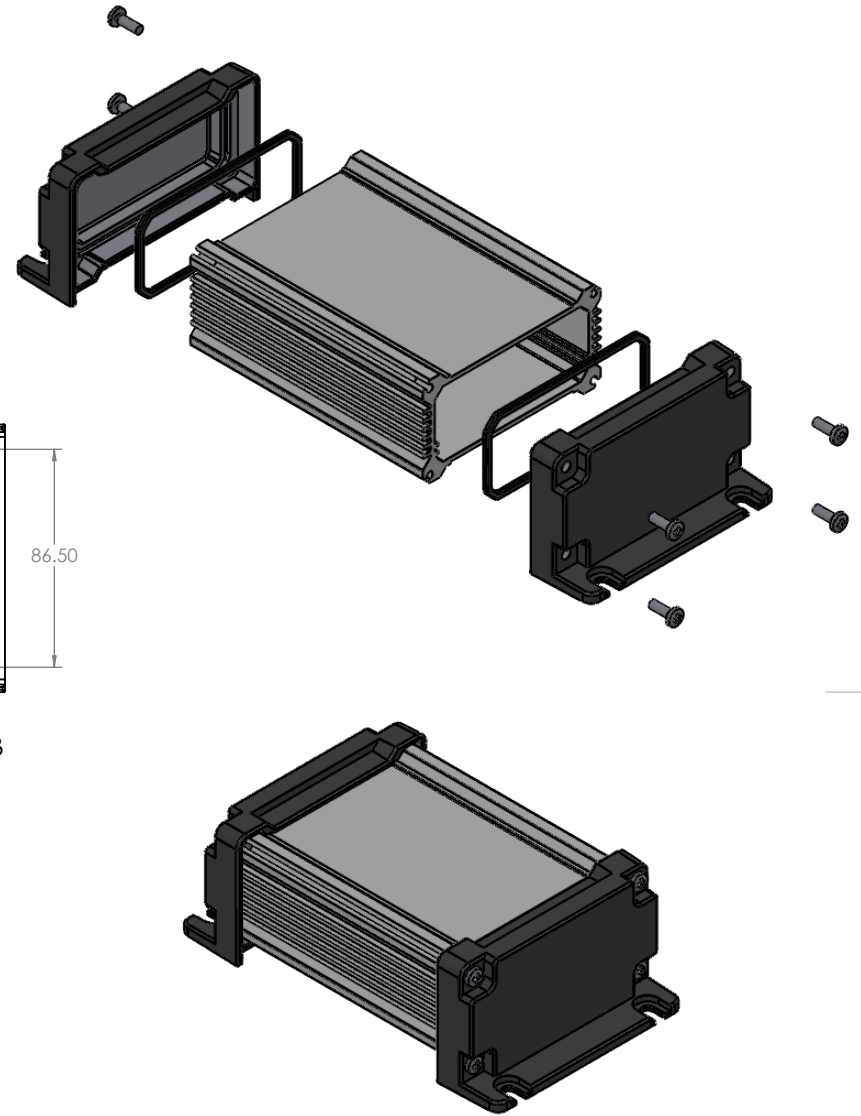
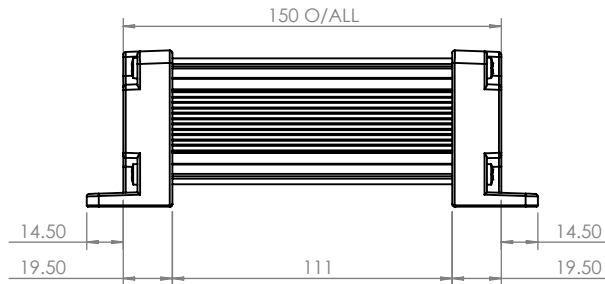




SECTION A-A



SECTION B-B



**CAMDENBOSS**  
CONNECT. ENCLOSE. INNOVATE.

JAMES CARTER RD, MILDENHALL, SUFFOLK. IP28 7DE  
TEL: 01638 716101 FAX: 01638 716554  
EMAIL: Sales@CamdenBoss.com  
WEB: www.CamdenBoss.com

UNLESS OTHERWISE SPECIFIED:  
DIMENSIONS ARE IN MILLIMETERS

GENERAL TOLERANCES +/- 0.2

REVISION. ○

FINISH:  
SILVER ANODIZED POWDER  
COATED END CAPS

TITLE:  
**88 SERIES FLANGED IP67 HEAT SINK  
CASE SIZE 16, SILVER**

COLOUR:  
SILVER

MATERIAL:  
ALUMINIUM

DWG NO. **CDM8816SL/FL** A4

	NAME	SIGNED	DATE
DRAWN	L LETCHFORD	L.L	08/03/19
CHKD	-	-	-

PROJECTION.

SCALE. - SHEET 1 OF 1 DO NOT SCALE DRAWING