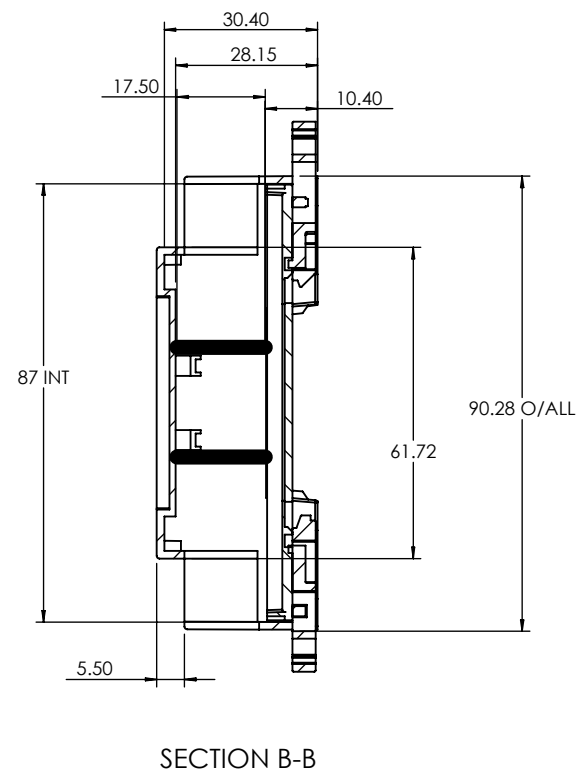
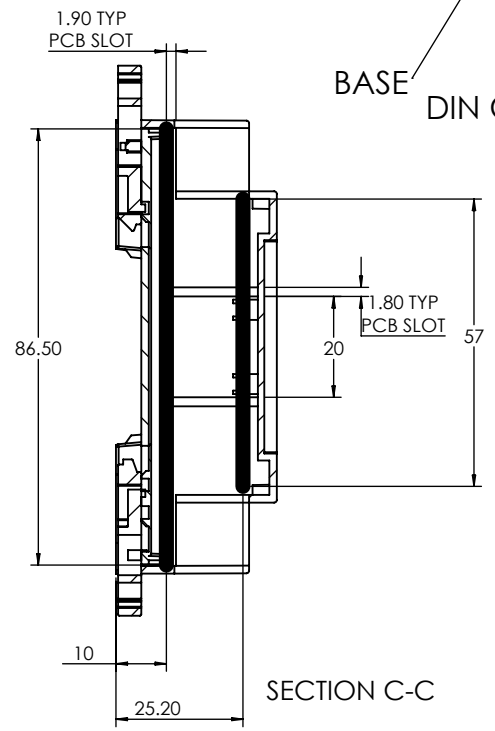
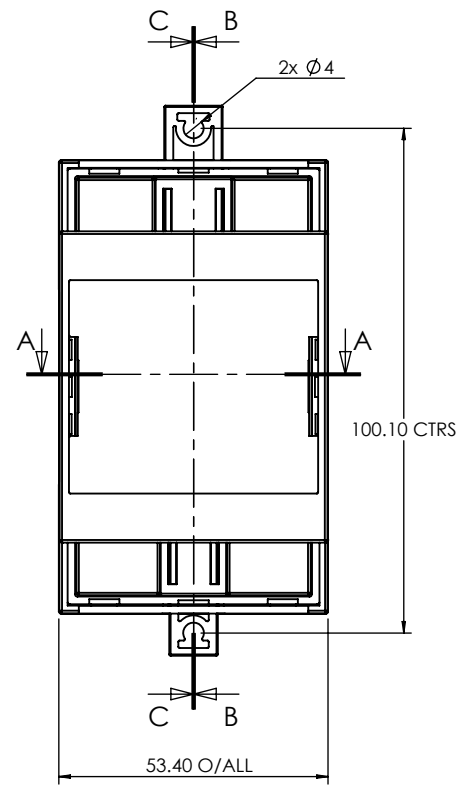
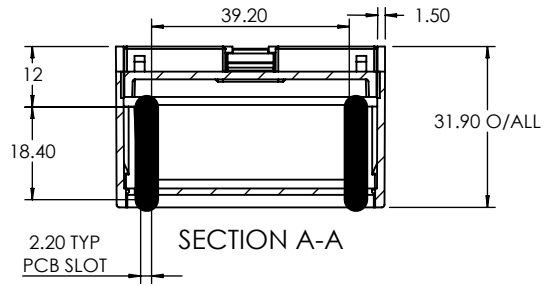
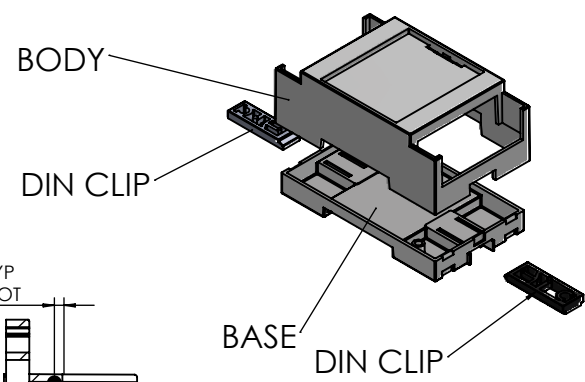




ISO VIEW

1:3



DIN CLIPS ARE SHOWN IN WALL MOUNTING POSITION

 CAMDENBOSS JAMES CARTER RD, MILDENHALL, SUFFOLK. IP28 7DE TEL: 01638 716101 FAX: 01638 716554 EMAIL: Sales@CamdenBoss.com WEB: www.CamdenBoss.com		UNLESS OTHERWISE SPECIFIED: DIMENSIONS ARE IN MILLIMETERS	DO NOT SCALE DRAWING	REVISION. <input type="radio"/>
		GENERAL TOLERANCES +/- 0.2	TITLE: GENERAL ASSEMBLY DRAWING FOR CDIB SERIES	
		FINISH: FINE TEXTURE	DWG NO. CDIB-3ST-L2	A4
DRAWN	IAN PAGANO	I.P.	22/03/17	MATERIAL: UL94 - V0 PC RAL: 7035
CHKD	ALWIN B.K	A.BK	05/12/17	PROJECTION. 
			SCALE: 2:3	SHEET 1 OF 1