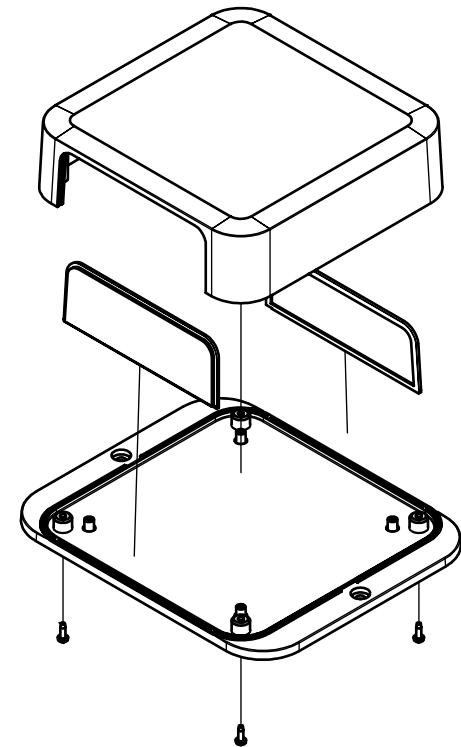




ISO VIEW  
3:11



 <b>CAMDENBOSS</b> JAMES CARTER RD, MILDENHALL, SUFFOLK. IP28 7DE TEL: 01638 716101 FAX: 01638 716554 EMAIL: Sales@CamdenBoss.com WEB: www.CamdenBoss.com				UNLESS OTHERWISE SPECIFIED: DIMENSIONS ARE IN MILLIMETERS		GENERAL TOLERANCES +/- 0.2		REVISION. <input type="checkbox"/>		
				FINISH. LIGHT SPARK		TITLE: <b>94 SERIES Flanged Comms Box Size 12 White 150.4x180.4x45</b>				
COLOUR. OFF-WHITE		MATERIAL. ABS UL94-VO		DWG NO. <b>CDE9412WH</b>		A4				
DRAWN	S.WHITEHEAD	SIGNED	SW	DATE	15/06/17	PROJECTION.		SCALE: 3:11	SHEET 1 OF 1	DO NOT SCALE DRAWING
CHK'D	-	-	-	-	-					