

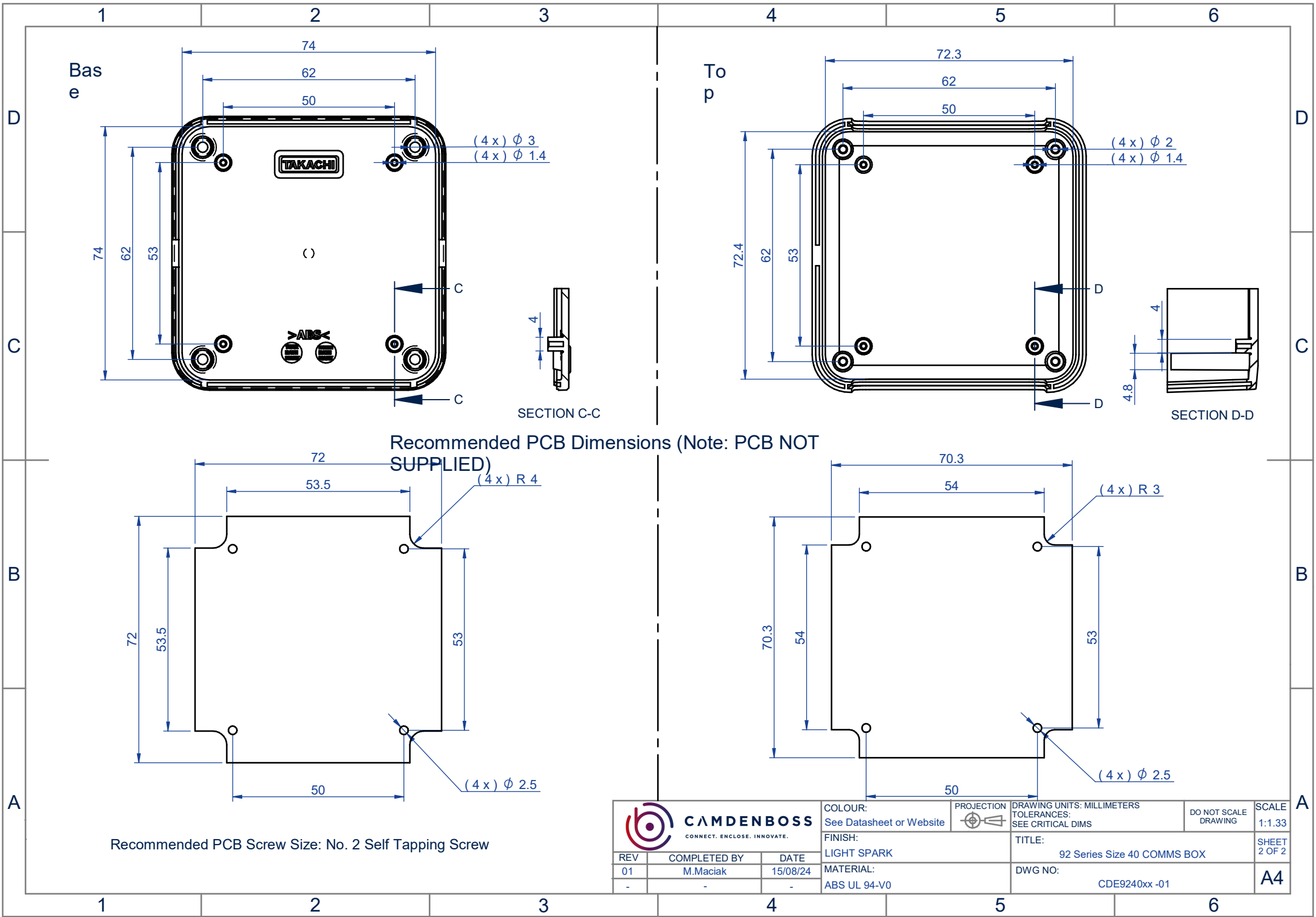
SECTION B-B  
80 O/ALL

SECTION A-A

ISO VIEW  
1:1.5

1:1.5

<b>CAMDENBOSS</b> <small>CONNECT. ENCLOSE. INNOVATE.</small>		COLOUR: See Datasheet or Website	PROJECTION 	DRAWING UNITS: MILLIMETERS TOLERANCES: SEE CRITICAL DIMS	DO NOT SCALE DRAWING	SCALE 1:5
		FINISH: LIGHT SPARK	TITLE: 92 Series Size 40 COMMS BOX		SHEET 1 OF 2	
REV 01	COMPLETED BY M.Maciak	DATE 15/08/24	MATERIAL: ABS UL 94-V0	DWG NO: CDE9240xx -01	A4	





Bas  
e

To  
p

Recommended PCB Dimensions (Note: PCB NOT SUPPLIED)

Recommended PCB Screw Size: No. 2 Self Tapping Screw

 <b>CAMDENBOSS</b> <small>CONNECT. ENCLOSE. INNOVATE.</small>		COLOUR: See Datasheet or Website	PROJECTION 	DRAWING UNITS: MILLIMETERS TOLERANCES: SEE CRITICAL DIMS	DO NOT SCALE DRAWING	SCALE 1:1.33
		FINISH: LIGHT SPARK	TITLE: 92 Series Size 40 COMMS BOX		SHEET 2 OF 2	
REV 01	COMPLETED BY M.Maciak	DATE 15/08/24	MATERIAL: ABS UL 94-V0	DWG NO: CDE9240xx -01	A4	