



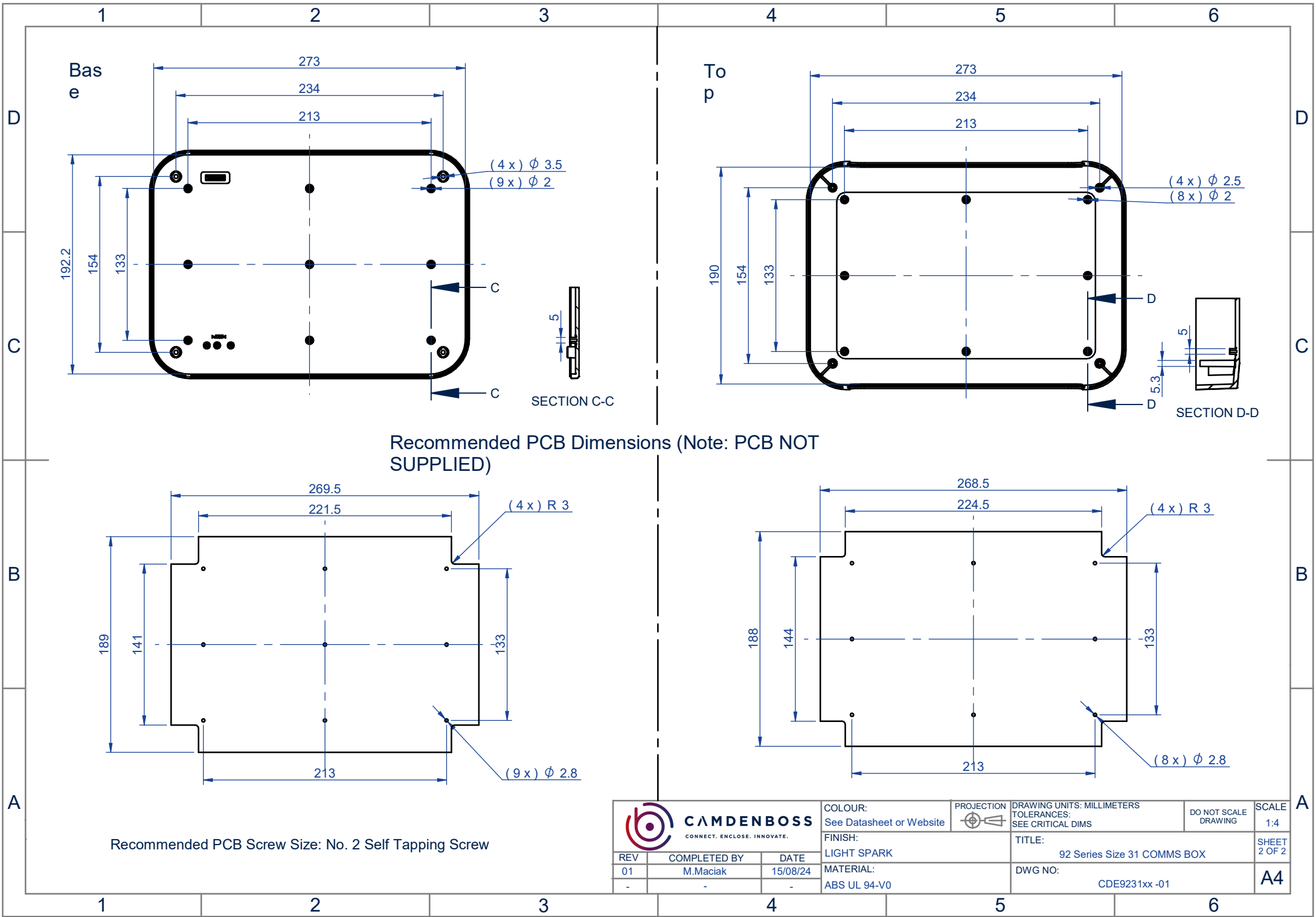
SECTION B-B

SECTION A-A

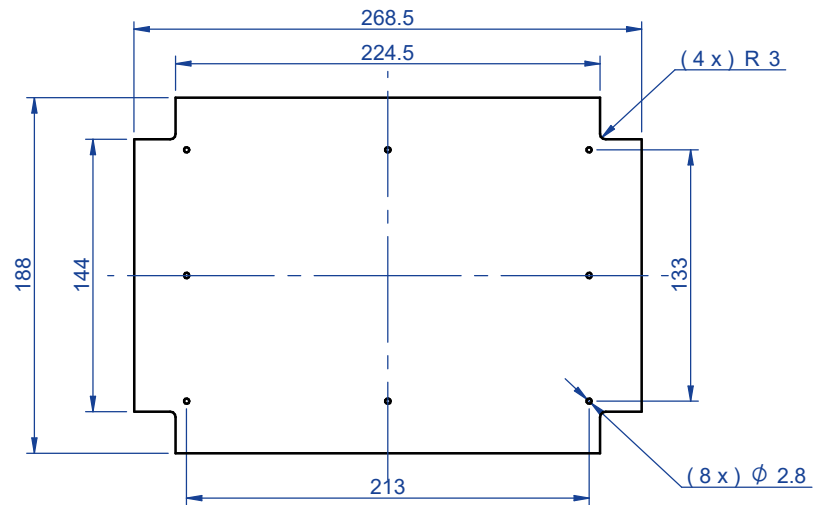
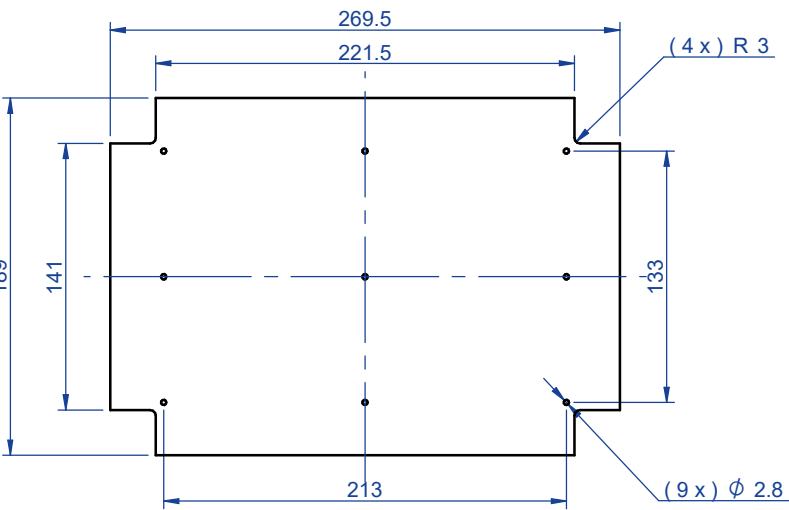
ISO VIEW
1:5

1:5

 CAMDENBOSS <small>CONNECT. ENCLOSE. INNOVATE.</small>			COLOUR: See Datasheet or Website	PROJECTION 	DRAWING UNITS: MILLIMETERS TOLERANCES: SEE CRITICAL DIMS	DO NOT SCALE DRAWING	SCALE 1:5
			FINISH: LIGHT SPARK	TITLE: 92 Series Size 31 COMMS BOX			SHEET 1 OF 2
REV 01	COMPLETED BY M.Maciak	DATE 15/08/24	MATERIAL: ABS UL 94-V0	DWG NO: CDE9231xx -01			A4



Recommended PCB Dimensions (Note: PCB NOT SUPPLIED)



Recommended PCB Screw Size: No. 2 Self Tapping Screw

		COLOUR: See Datasheet or Website	PROJECTION 	DRAWING UNITS: MILLIMETERS TOLERANCES: SEE CRITICAL DIMS	DO NOT SCALE DRAWING	SCALE 1:4
		FINISH: LIGHT SPARK	TITLE: 92 Series Size 31 COMMS BOX		SHEET 2 OF 2	
REV 01	COMPLETED BY M.Maciak	DATE 15/08/24	MATERIAL: ABS UL 94-V0	DWG NO: CDE9231xx -01	A4	