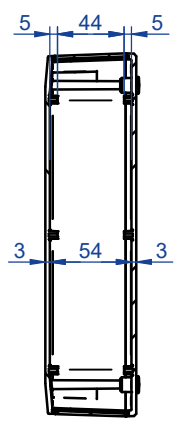
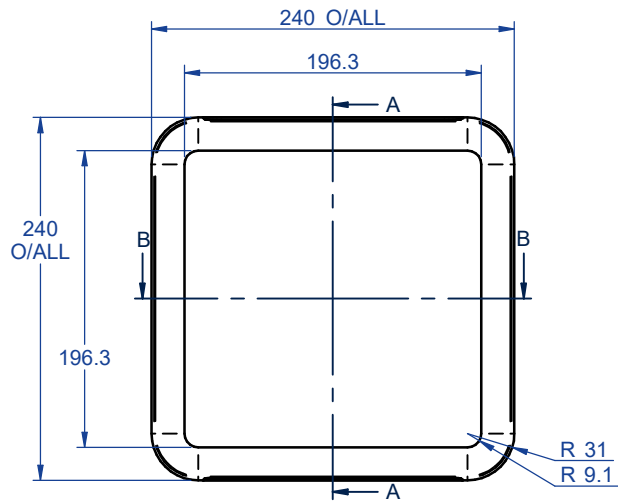
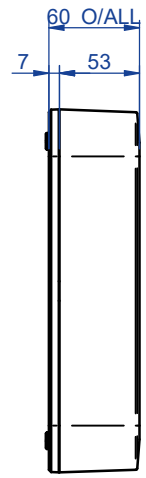
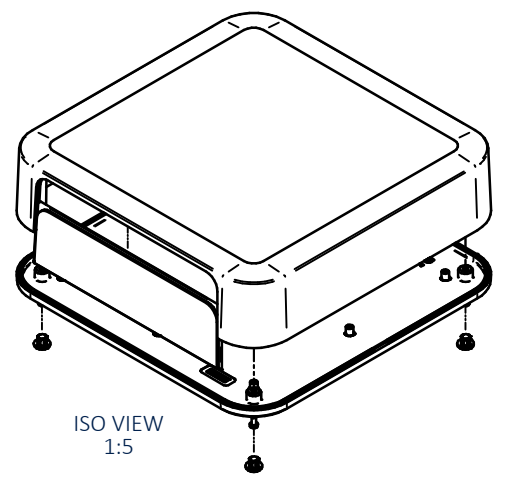
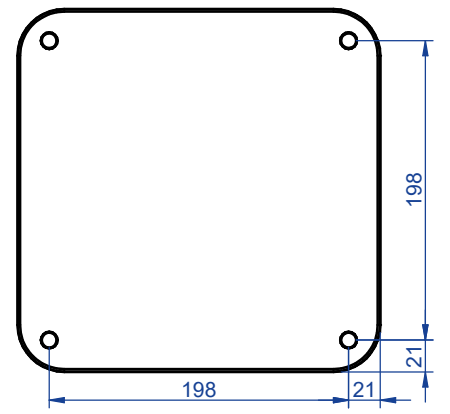
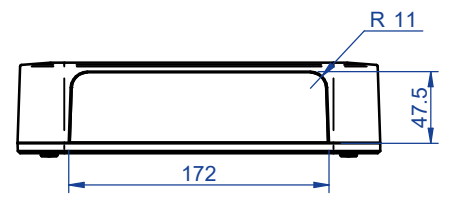


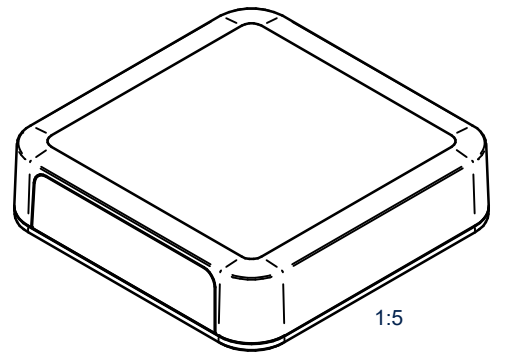
SECTION B-B





SECTION A-A

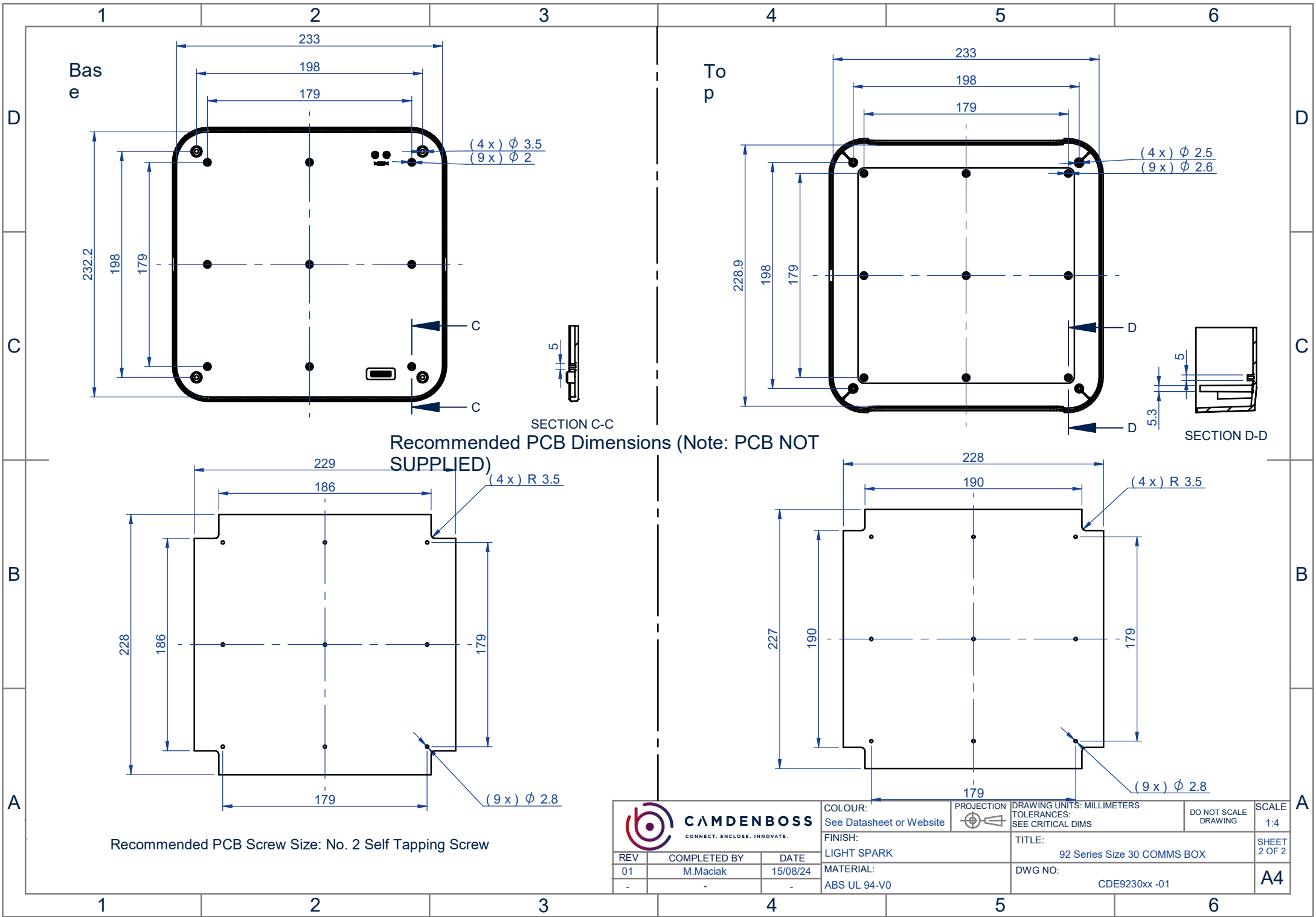


ISO VIEW
1:5



1:5

 CAMDENBOSS <small>CONNECT. ENCLOSE. INNOVATE.</small>			COLOUR: See Datasheet or Website	PROJECTION 	DRAWING UNITS: MILLIMETERS TOLERANCES: SEE CRITICAL DIMS	DO NOT SCALE DRAWING	SCALE 1:5
			FINISH: LIGHT SPARK	TITLE: 92 Series Size 30 COMMS BOX		SHEET 1 OF 2	
REV 01	COMPLETED BY M.Maciak	DATE 15/08/24	MATERIAL: ABS UL 94-V0	DWG NO: CDE9230xx -01		A4	
-	-	-					



Bas e

To p

Recommended PCB Dimensions (Note: PCB NOT SUPPLIED)

Recommended PCB Screw Size: No. 2 Self Tapping Screw

CAMDENBOSS <small>CONNECT. ENCLOSE. INNOVATE.</small>		COLOUR: See Datasheet or Website	PROJECTION	DRAWING UNITS: MILLIMETERS TOLERANCES: SEE CRITICAL DIMS	DO NOT SCALE DRAWING	SCALE 1:4
		FINISH: LIGHT SPARK	TITLE: 92 Series Size 30 COMMS BOX		SHEET 2 OF 2	
		MATERIAL: ABS UL 94-V0	DWG NO: CDE9230xx -01		A4	
REV 01 -	COMPLETED BY M.Maciak -	DATE 15/08/24 -				