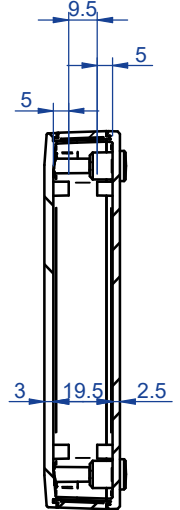
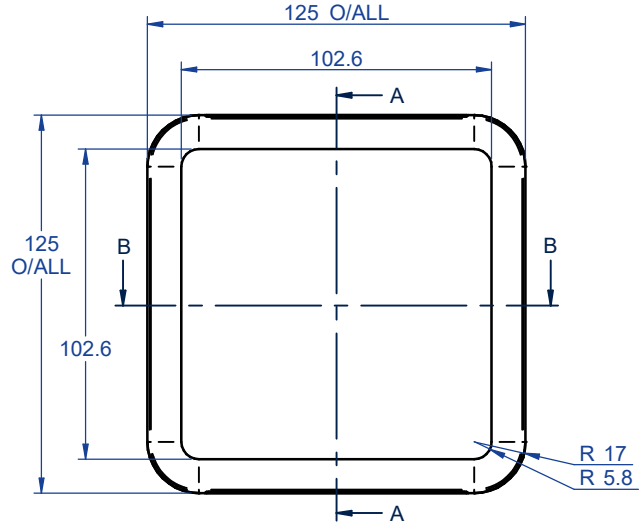
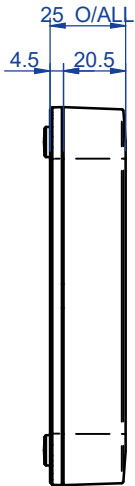
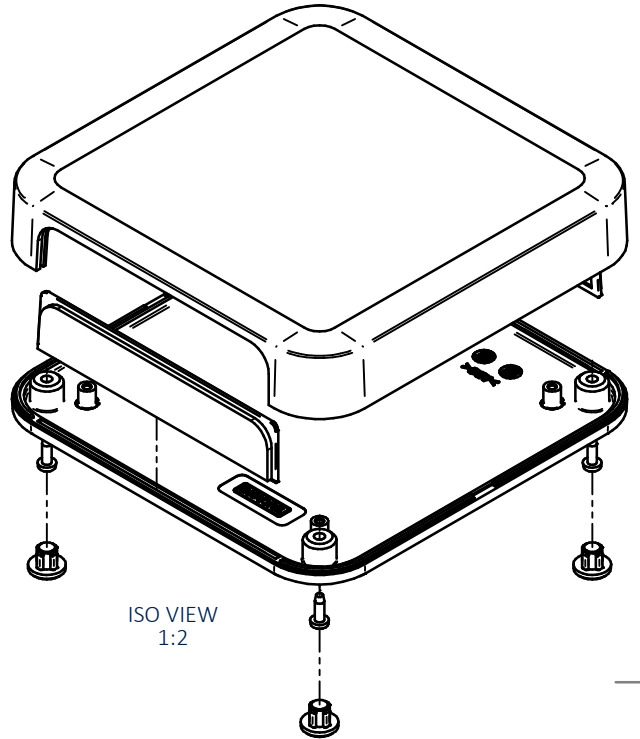
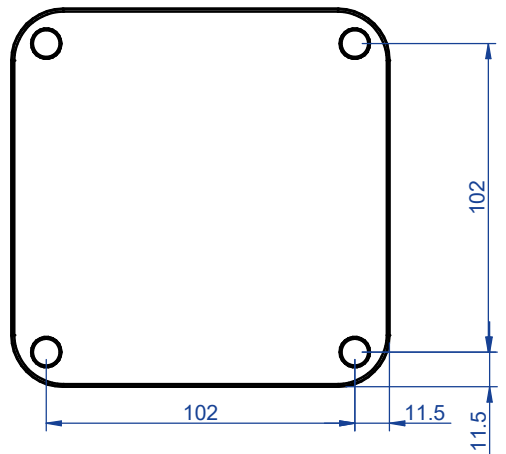
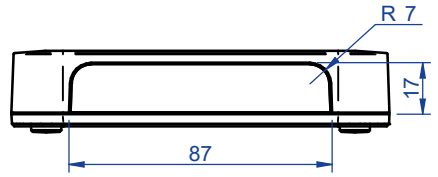


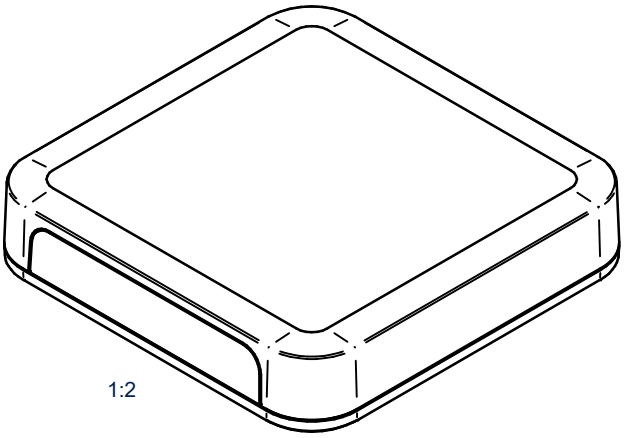
SECTION B-B





SECTION A-A

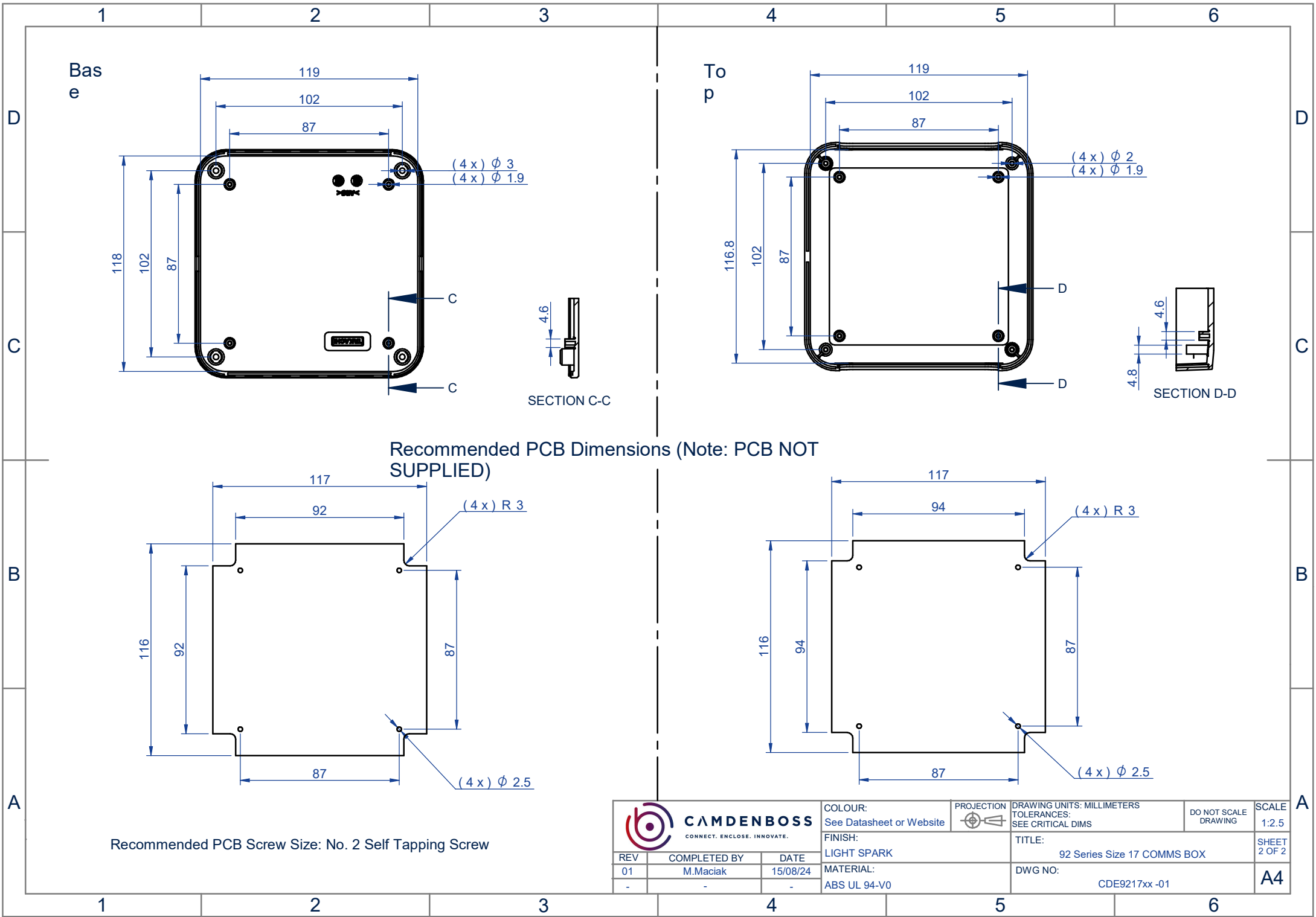


ISO VIEW
1:2





1:2

 CAMDENBOSS <small>CONNECT. ENCLOSE. INNOVATE.</small>			COLOUR: See Datasheet or Website		PROJECTION 	DRAWING UNITS: MILLIMETERS TOLERANCES: SEE CRITICAL DIMS	DO NOT SCALE DRAWING	SCALE 1:5
			FINISH: LIGHT SPARK		TITLE: 92 Series Size 17 COMMS BOX			SHEET 1 OF 2
REV 01 -	COMPLETED BY M.Maciak -	DATE 15/08/24 -	MATERIAL: ABS UL 94-V0		DWG NO: CDE9217xx -01			A4



Recommended PCB Screw Size: No. 2 Self Tapping Screw

		COLOUR: See Datasheet or Website	PROJECTION 	DRAWING UNITS: MILLIMETERS TOLERANCES: SEE CRITICAL DIMS	DO NOT SCALE DRAWING	SCALE 1:2.5
		FINISH: LIGHT SPARK	TITLE: 92 Series Size 17 COMMS BOX		SHEET 2 OF 2	
REV 01	COMPLETED BY M.Maciak	DATE 15/08/24	MATERIAL: ABS UL 94-V0	DWG NO: CDE9217xx -01	A4	