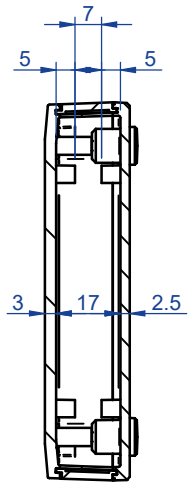
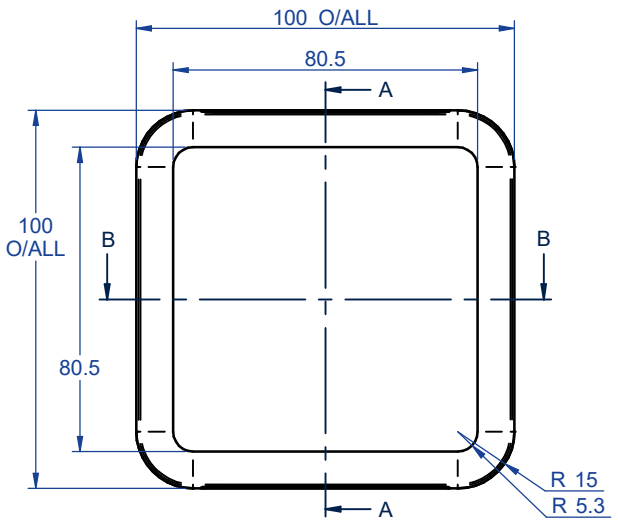
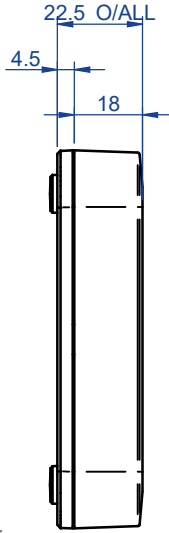
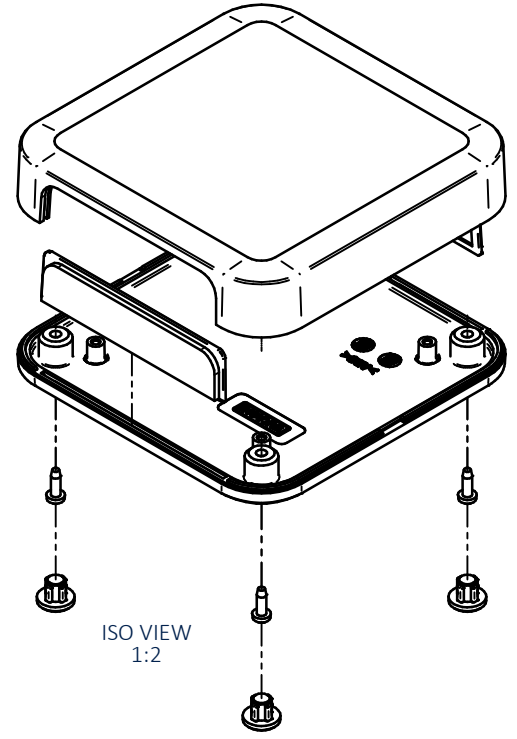
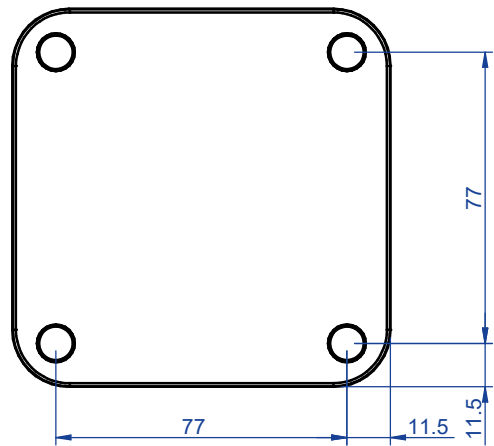
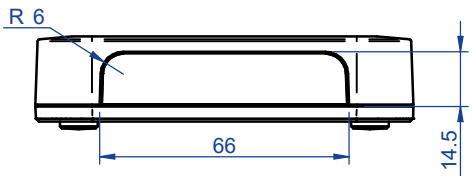


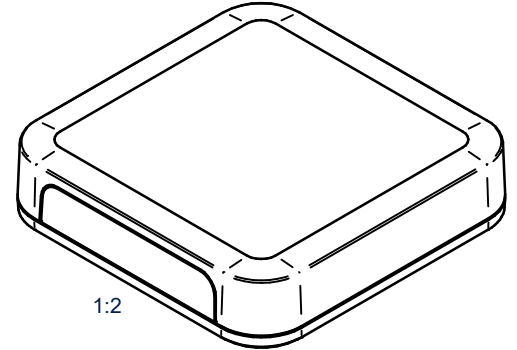
SECTION B-B



SECTION A-A

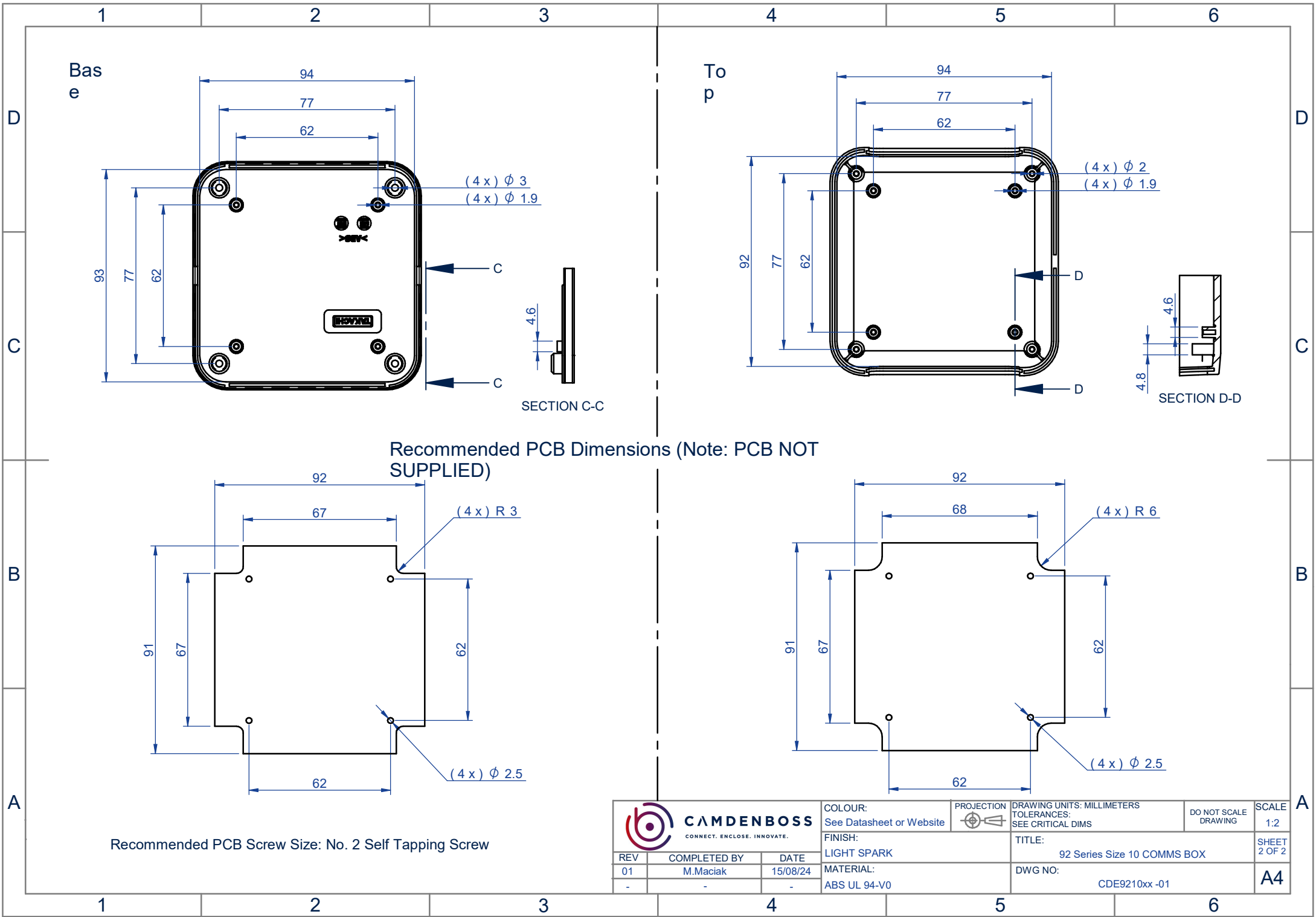


ISO VIEW  
1:2



1:2

<b>CAMDENBOSS</b> <small>CONNECT. ENCLOSE. INNOVATE.</small>			COLOUR: See Datasheet or Website		PROJECTION 		DRAWING UNITS: MILLIMETERS TOLERANCES: SEE CRITICAL DIMS		DO NOT SCALE DRAWING		SCALE 1:5	
			FINISH: LIGHT SPARK			MATERIAL: ABS UL 94-V0			TITLE: 92 Series Size 10 COMMS BOX			SHEET 1 OF 2
REV 01		COMPLETED BY M.Maciak		DATE 15/08/24		DWG NO: CDE9210xx -01			A4			



		COLOUR: See Datasheet or Website	PROJECTION 	DRAWING UNITS: MILLIMETERS TOLERANCES: SEE CRITICAL DIMS	DO NOT SCALE DRAWING	SCALE 1:2
		FINISH: LIGHT SPARK	TITLE: 92 Series Size 10 COMMS BOX		SHEET 2 OF 2	
REV 01	COMPLETED BY M.Maciak	DATE 15/08/24	MATERIAL: ABS UL 94-V0	DWG NO: CDE9210xx -01	A4	