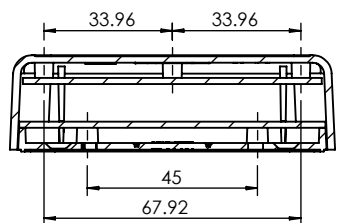
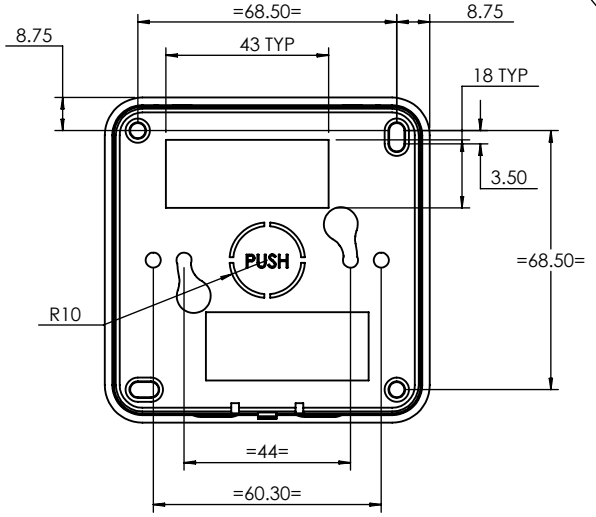
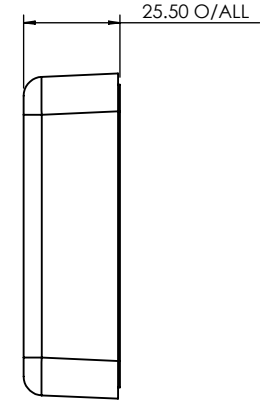
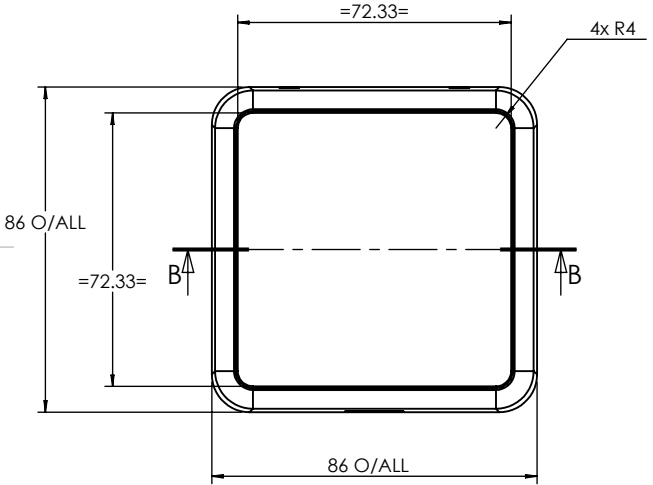
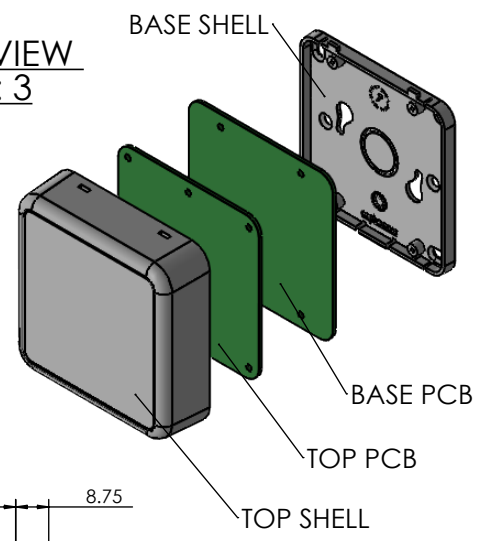


ISO VIEW
1:3



SECTION B-B

COLOUR	RAL:
BLACK	9005
GREY	7047
WHITE	9003

CAMDENBOSS
CONNECT. ENCLOSE. INNOVATE.

JAMES CARTER RD, MILDENHALL, SUFFOLK. IP28 7DE
TEL: 01638 716101 FAX: 01638 716554
EMAIL: Sales@CamdenBoss.com
WEB: www.CamdenBoss.com

UNLESS OTHERWISE SPECIFIED:
DIMENSIONS ARE IN MILLIMETERS

FINISH:
LIGHT SPARK

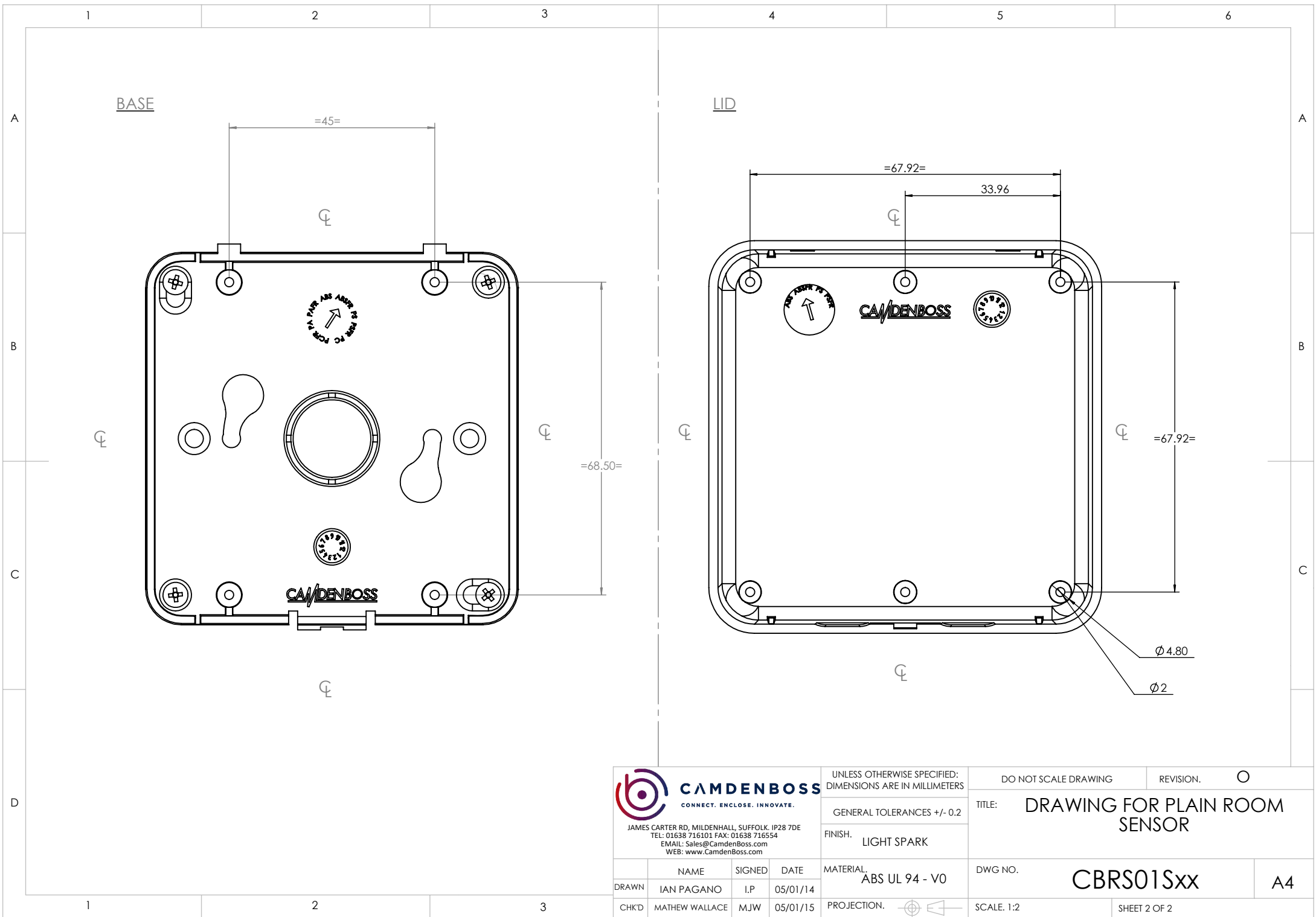
COLOUR:
SEE TABLE

MATERIAL:
ABS UL 94 - V0

PROJECTION.

GENERAL TOLERANCES +/- 0.2	REVISION.	○
TITLE:	DRAWING FOR PLAIN ROOM SENSOR	
DWG NO.	CBR01Sxx	A4
SCALE: 1:2	SHEET 1 OF 2	DO NOT SCALE DRAWING

	NAME	SIGNED	DATE
DRAWN	IAN PAGANO	I.P.	05/01/14
CHK'D	MATHEW WALLACE	M.J.W.	05/01/15



CAMDENBOSS
 CONNECT. ENCLOSE. INNOVATE.

JAMES CARTER RD, MILDENHALL, SUFFOLK. IP28 7DE
 TEL: 01638 716101 FAX: 01638 716554
 EMAIL: Sales@CamdenBoss.com
 WEB: www.CamdenBoss.com

UNLESS OTHERWISE SPECIFIED:
 DIMENSIONS ARE IN MILLIMETERS

GENERAL TOLERANCES +/- 0.2

FINISH. LIGHT SPARK

MATERIAL. ABS UL 94 - V0

DO NOT SCALE DRAWING		REVISION. ○	
TITLE: DRAWING FOR PLAIN ROOM SENSOR		DWG NO. CBR01Sxx	
DRAWN IAN PAGANO I.P. 05/01/14		SCALE: 1:2	
CHK'D MATHEW WALLACE M.J.W. 05/01/15		SHEET 2 OF 2	

	NAME	SIGNED	DATE
DRAWN	IAN PAGANO	I.P.	05/01/14
CHK'D	MATHEW WALLACE	M.J.W.	05/01/15

PROJECTION.

A4