

SECTION C-C

SECTION D-D

|        |                  |      |
|--------|------------------|------|
| COLOUR | PART NUMBER      | RAL: |
| BLACK  | CB1500-10VBK-KIT | 9005 |
| GREY   | CB1500-10VGY-KIT | 7047 |
| WHITE  | CB1500-10VWH-KIT | 9003 |

**CAMDENBOSS**  
 CONNECT. ENCLOSE. INNOVATE.  
 JAMES CARTER RD, MILDENHALL, SUFFOLK. IP28 7DE  
 TEL: 01638 716101 FAX: 01638 716554  
 EMAIL: Sales@CamdenBoss.com  
 WEB: www.CamdenBoss.com

UNLESS OTHERWISE SPECIFIED:  
 DIMENSIONS ARE IN MILLIMETERS

FINISH:  
 LIGHT SPARK

COLOUR:  
 WHITE

MATERIAL:  
 UV STABLE ABS UL94-V0

GENERAL TOLERANCES +/- 0.2

REVISION: **A**

TITLE: **DIMENSION DRAWING FOR 1500 SERIES WHITE WITH VENTED BODY**

DWG NO. **CB1500-10Vxx-KIT** **A4**

|       |            |        |          |
|-------|------------|--------|----------|
|       | NAME       | SIGNED | DATE     |
| DRAWN | IAN PAGANO | I.P.   | 19/11/18 |
| CHK'D | -          | -      | -        |

PROJECTION:

SCALE: 1:2

SHEET 1 OF 3

DO NOT SCALE DRAWING

1 2 3 4 5 6

A

A

B

B

C

C

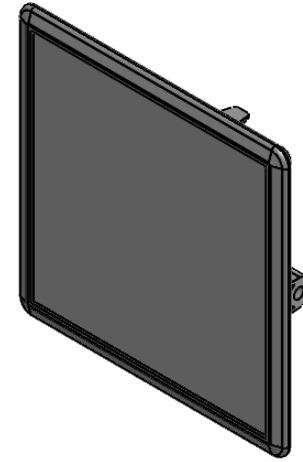
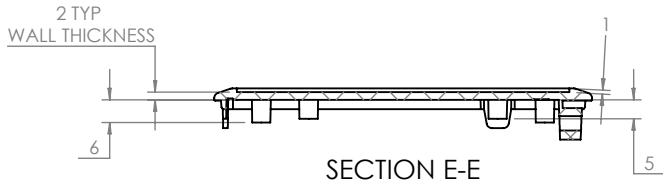
D

D

1 2 3

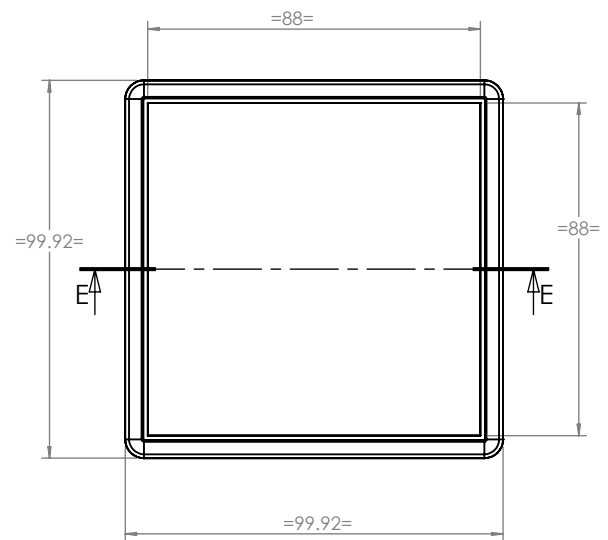
1 2 3 4 5 6

A



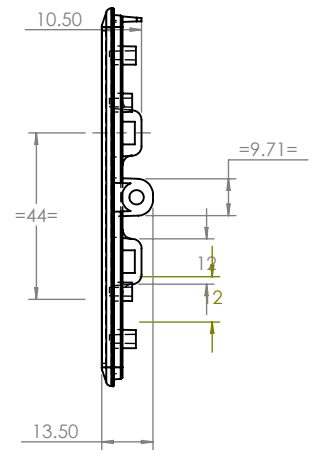
A

B

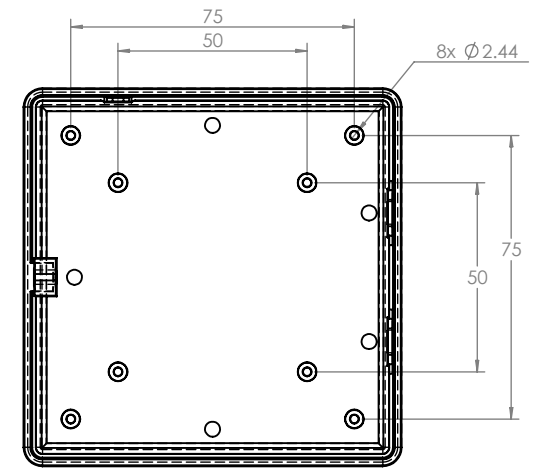


B



C



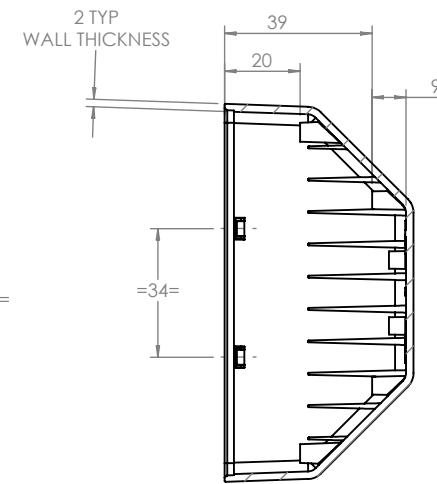
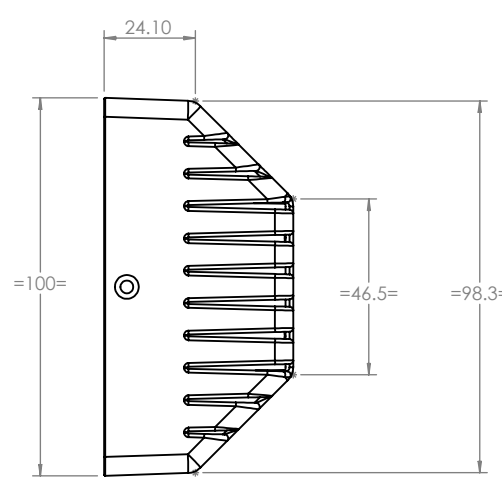
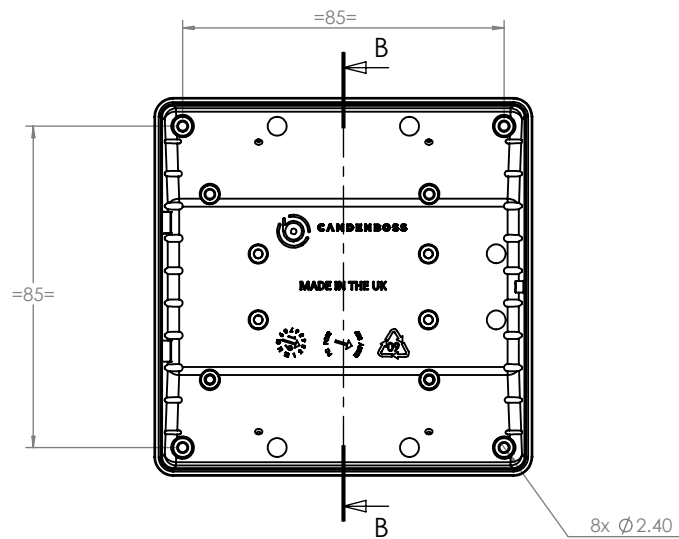
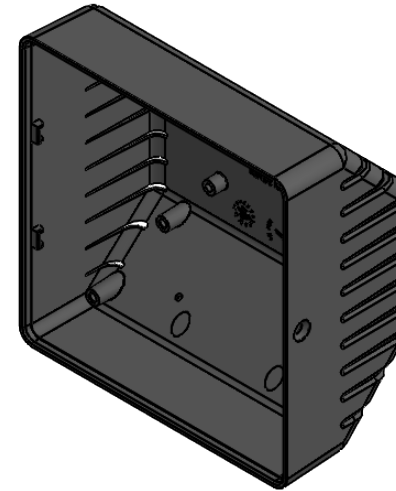
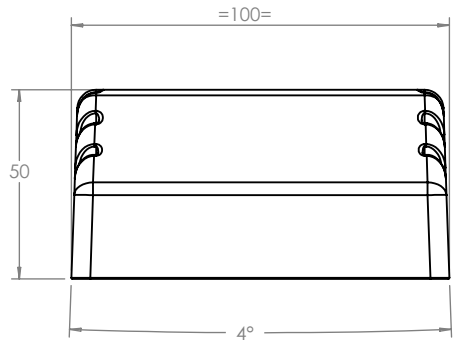
C



D

|   |  |  |  |   |  |                                 |  |
|---|--|--|--|---|--|---------------------------------|--|
|  <b>CAMDENBOSS</b><br>CONNECT. ENCLOSE. INNOVATE.<br>JAMES CARTER RD, MILDENHALL, SUFFOLK. IP28 7DE<br>TEL: 01638 716101 FAX: 01638 716554<br>EMAIL: Sales@CamdenBoss.com<br>WEB: www.CamdenBoss.com |  | UNLESS OTHERWISE SPECIFIED:<br>DIMENSIONS ARE IN MILLIMETERS |  | GENERAL TOLERANCES +/- 0.2  |  | REVISION. <b>A</b>              |  |
|   |  | FINISH.<br>LIGHT SPARK                                       |  | TITLE: <b>DIMENSION DRAWING FOR 1500 SERIES WHITE WITH VENTED BODY</b>                            |  |                                 |  |
|   |  | COLOUR.<br>WHITE   |  | MATERIAL.<br>UV STABLE ABS UL94-V0  |  | DWG NO. <b>CB1500-10Vxx-KIT</b> |  |
| DRAWN IAN PAGANO  |  | SIGNED I.P.  |  | DATE 19/11/18   |  | SCALE 1:2                       |  |
| CHKD -  |  |  |  | PROJECTION.  |  | SHEET 2 OF 3                    |  |
|   |  |  |  |   |  | DO NOT SCALE DRAWING            |  |

1 2 3



SECTION B-B

**CAMDENBOSS**  
 CONNECT. ENCLOSE. INNOVATE.  
 JAMES CARTER RD, MILDENHALL, SUFFOLK. IP28 7DE  
 TEL: 01638 716101 FAX: 01638 716554  
 EMAIL: Sales@CamdenBoss.com  
 WEB: www.CamdenBoss.com

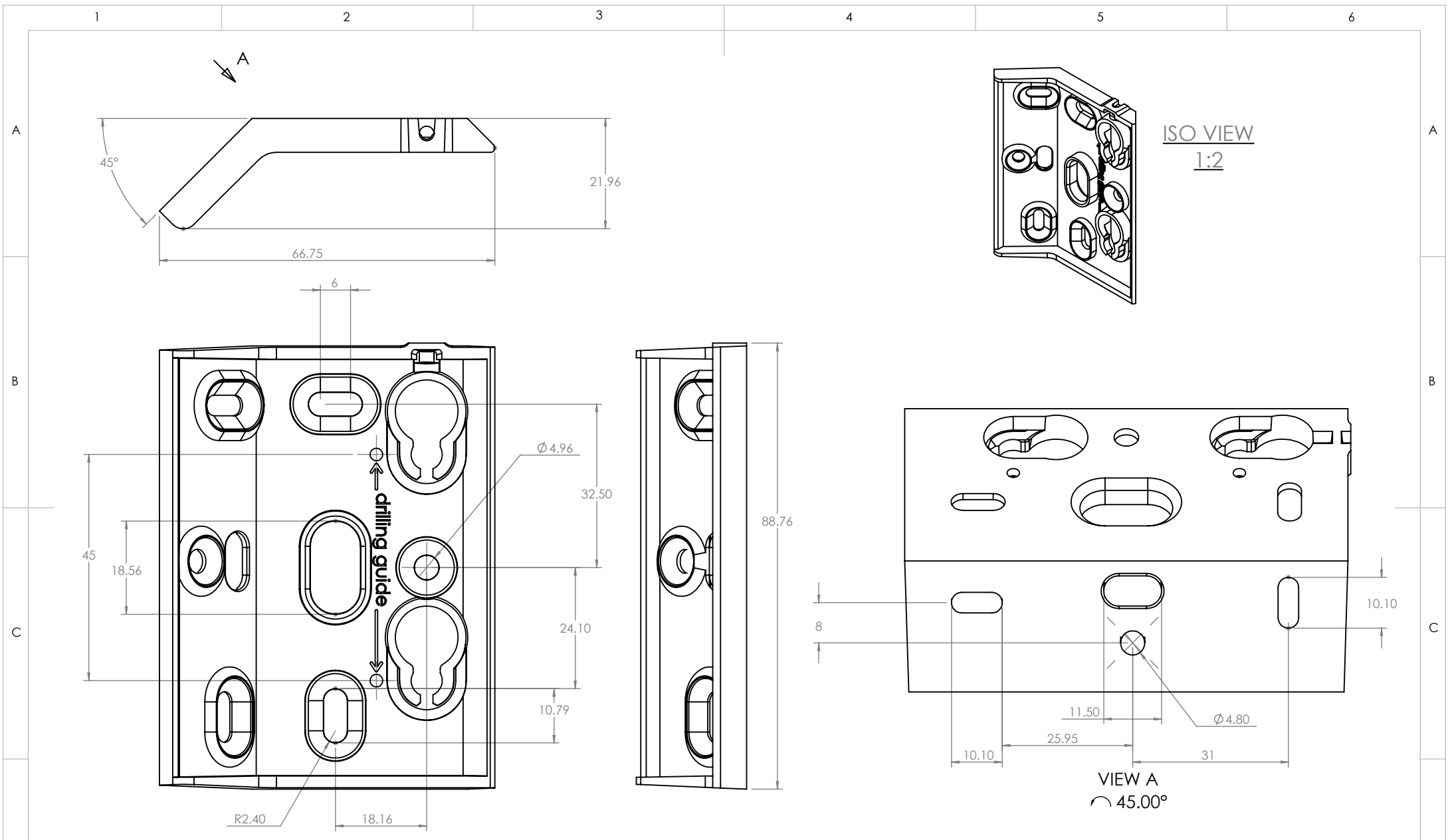
UNLESS OTHERWISE SPECIFIED:  
 DIMENSIONS ARE IN MILLIMETERS  
 FINISH: LIGHT SPARK  
 COLOUR: WHITE

GENERAL TOLERANCES +/- 0.2 REVISION: A  
 TITLE: DIMENSION DRAWING FOR 1500 SERIES WHITE WITH VENTED BODY

|       | NAME       | SIGNED | DATE     |
|-------|------------|--------|----------|
| DRAWN | IAN PAGANO | I.P.   | 19/11/18 |
| CHK'D | -          | -      | -        |

MATERIAL: UV STABLE ABS UL94-V0  
 PROJECTION:

DWG NO. **CB1500-10Vxx-KIT** A4  
 SCALE: 1:2 SHEET 3 OF 3 DO NOT SCALE DRAWING



|        |             |      |
|--------|-------------|------|
| COLOUR | PART NUMBER | RAL: |
| BLACK  | CBWM45-BK   | 9005 |
| GREY   | CBWM45-GY   | 7047 |
| WHITE  | CBWM45-WH   | 9003 |

**CAMDENBOSS**  
 CONNECT. ENCLOSE. INNOVATE.  
 JAMES CARTER RD, MILDENHALL, SUFFOLK. IP28 7DE  
 TEL: 01638 716101 FAX: 01638 716554  
 EMAIL: Sales@CamdenBoss.com  
 WEB: www.CamdenBoss.com

UNLESS OTHERWISE SPECIFIED:  
 DIMENSIONS ARE IN MILLIMETERS

FINISH:  
 LIGHT SPARK

COLOUR:  
 WHITE

MATERIAL:  
 UV STABLE ABS UL 94 - V0

PROJECTION:

|   |                        |
|---|------------------------|
| GENERAL TOLERANCES +/- 0.2              | REVISION: A            |
| TITLE:<br>DRAWINGS FOR 45° WALL BRACKET | DWG NO.<br>CBWM45-10xx |
| SCALE: 1:1                              | SHEET 1 OF 1           |
| DO NOT SCALE DRAWING                    | A4                     |