

SECTION C-C

SECTION D-D

COLOUR	PART NUMBER	RAL:
BLACK	CB1500-10SBK-KIT	9005
GREY	CB1500-10SGY-KIT	7047
WHITE	CB1500-10SWH-KIT	9003

**CAMDENBOSS**  
 CONNECT. ENCLOSE. INNOVATE.  
 JAMES CARTER RD, MILDENHALL, SUFFOLK. IP28 7DE  
 TEL: 01638 716101 FAX: 01638 716554  
 EMAIL: Sales@CamdenBoss.com  
 WEB: www.CamdenBoss.com

UNLESS OTHERWISE SPECIFIED:  
 DIMENSIONS ARE IN MILLIMETERS

FINISH:  
 LIGHT SPARK

COLOUR:  
 SEE TABLE

MATERIAL:  
 UV STABLE ABS UL94-V0

PROJECTION:

GENERAL TOLERANCES +/- 0.2

REVISION:

TITLE: DIMENSION DRAWING FOR 1500 SERIES BLACK WITH SOLID BODY

DWG NO. **CB1500-10Sxx-KIT** A4

	NAME	SIGNED	DATE
DRAWN	IAN PAGANO	I.P.	19/11/18
CHK'D	-	-	-

SCALE: 1:2

SHEET 1 OF 3

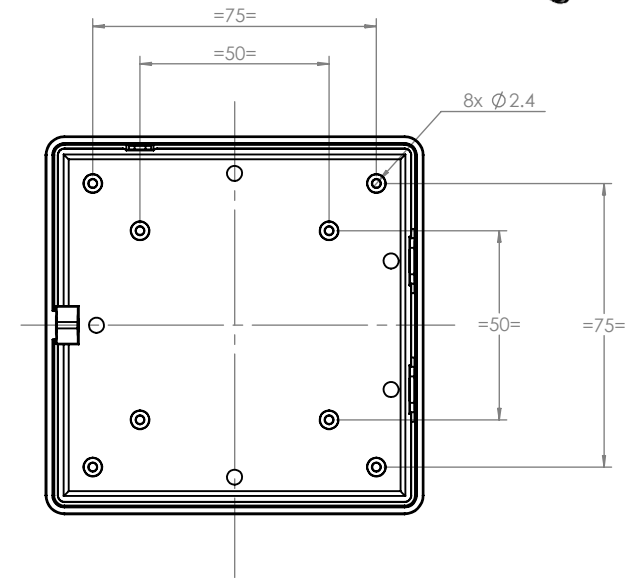
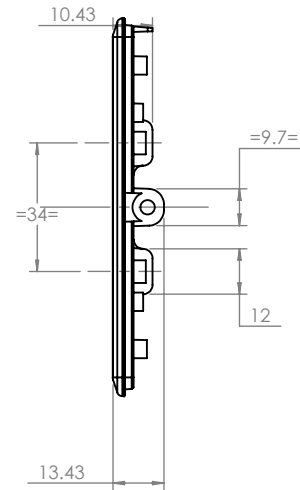
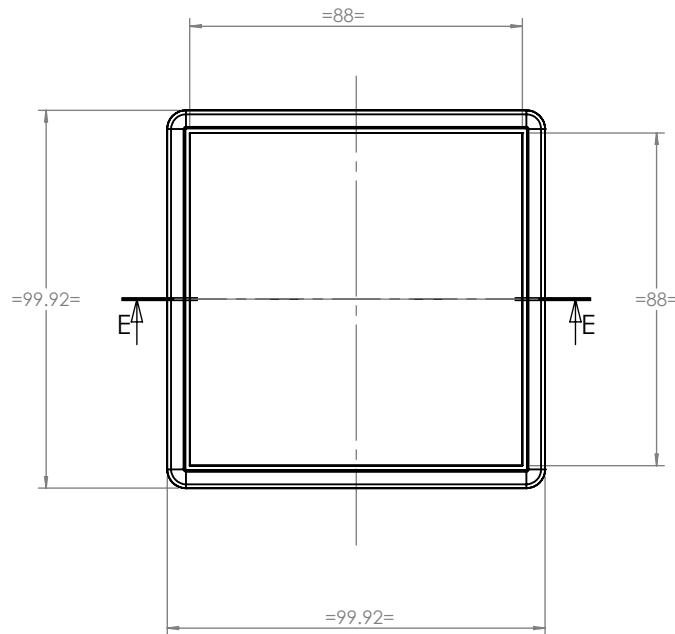
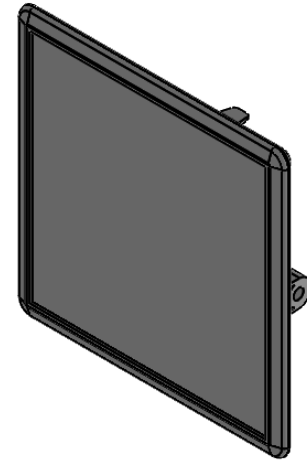
DO NOT SCALE DRAWING

2 TYP  
WALL THICKNESS

1 mm  
RECESS



SECTION E-E



**CAMDENBOSS**  
CONNECT. ENCLOSE. INNOVATE.

JAMES CARTER RD, MILDENHALL, SUFFOLK. IP28 7DE  
TEL: 01638 716101 FAX: 01638 716554  
EMAIL: Sales@CamdenBoss.com  
WEB: www.CamdenBoss.com

UNLESS OTHERWISE SPECIFIED:  
DIMENSIONS ARE IN MILLIMETERS

FINISH:  
LIGHT SPARK

COLOUR:  
SEE TABLE

GENERAL TOLERANCES +/- 0.2

REVISION: ○

TITLE: DIMENSION DRAWING FOR 1500  
SERIES BLACK WITH SOLID BODY

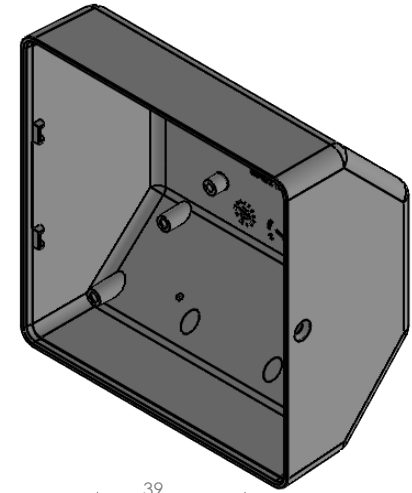
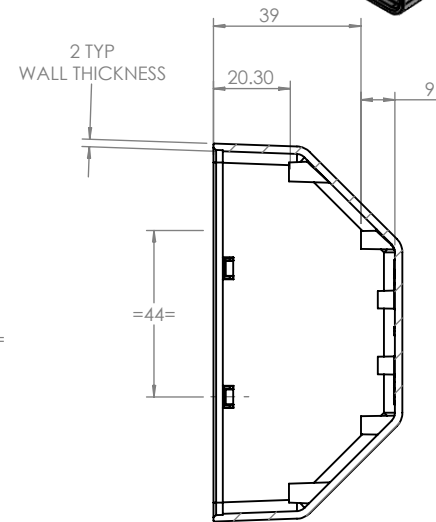
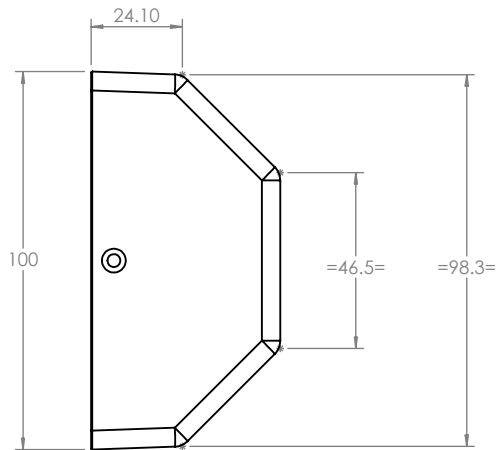
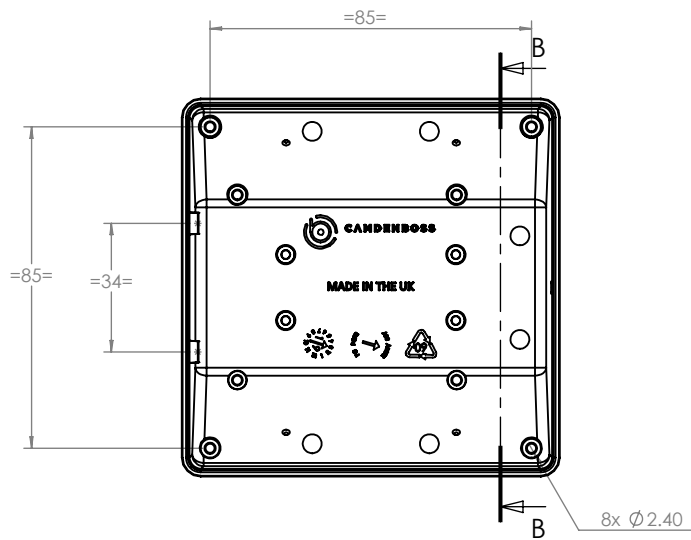
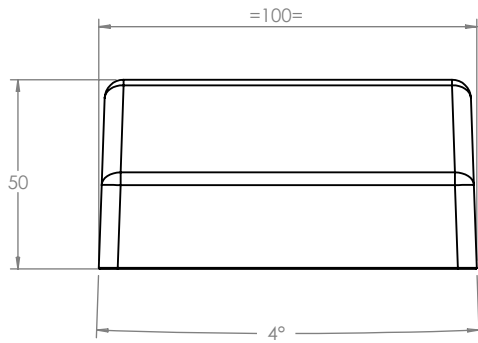
	NAME	SIGNED	DATE
DRAWN	IAN PAGANO	I.P.	19/11/18
CHKD	-	-	-

MATERIAL:  
UV STABLE ABS UL94-V0

PROJECTION:

DWG NO. **CB1500-10Sxx-KIT** A4

SCALE: 1:2 SHEET 2 OF 3 DO NOT SCALE DRAWING





**CAMDENBOSS**  
 CONNECT. ENCLOSE. INNOVATE.  
 JAMES CARTER RD, MILDENHALL, SUFFOLK. IP28 7DE  
 TEL: 01638 716101 FAX: 01638 716554  
 EMAIL: Sales@CamdenBoss.com  
 WEB: www.CamdenBoss.com

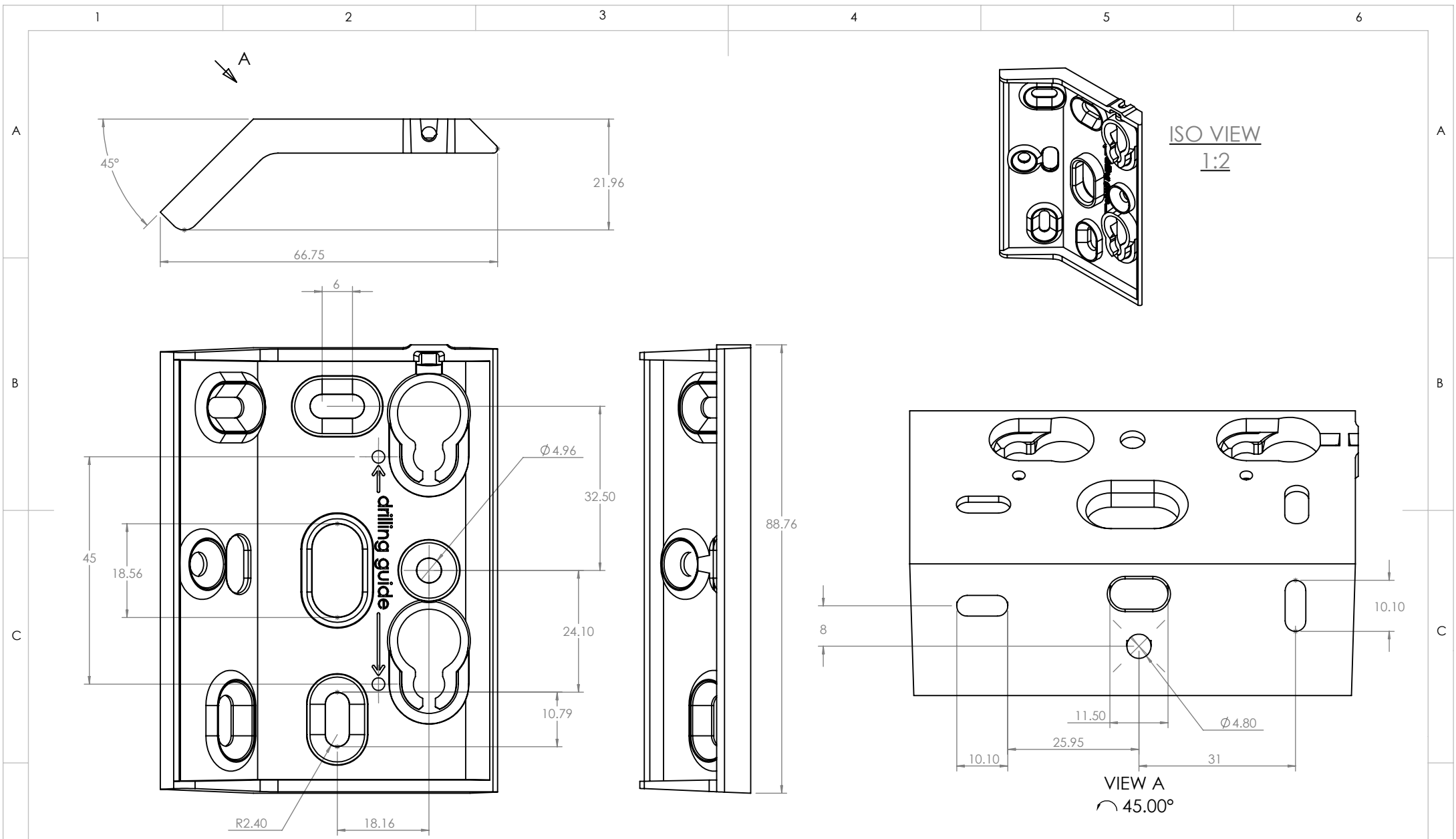
UNLESS OTHERWISE SPECIFIED:  
 DIMENSIONS ARE IN MILLIMETERS  
 FINISH: LIGHT SPARK  
 COLOUR: SEE TABLE

GENERAL TOLERANCES +/- 0.2  
 REVISION:   
 TITLE: DIMENSION DRAWING FOR 1500 SERIES BLACK WITH SOLID BODY

	NAME	SIGNED	DATE
DRAWN	IAN PAGANO	I.P.	19/11/18
CHKD	-	-	-

MATERIAL: UV STABLE ABS UL94-V0  
 PROJECTION: 

DWG NO. **CB1500-10Sxx-KIT** A4  
 SCALE: 1:2 SHEET 3 OF 3 DO NOT SCALE DRAWING



COLOUR	PART NUMBER	RAL:
BLACK	CBWM45-BK	9005
GREY	CBWM45-GY	7047
WHITE	CBWM45-WH	9003

**CAMDENBOSS**  
CONNECT. ENCLOSE. INNOVATE.  
JAMES CARTER RD, MILDENHALL, SUFFOLK. IP28 7DE  
TEL: 01638 716101 FAX: 01638 716554  
EMAIL: Sales@CamdenBoss.com  
WEB: www.CamdenBoss.com

UNLESS OTHERWISE SPECIFIED:  
DIMENSIONS ARE IN MILLIMETERS

FINISH:  
LIGHT SPARK

COLOUR:  
WHITE

MATERIAL:  
UV STABLE ABS UL 94 - V0

PROJECTION:

GENERAL TOLERANCES +/- 0.2	REVISION: A
TITLE: DRAWINGS FOR 45° WALL BRACKET	DWG NO. CBWM45-10xx A4
SCALE: 1:1	SHEET 1 OF 1
DO NOT SCALE DRAWING	