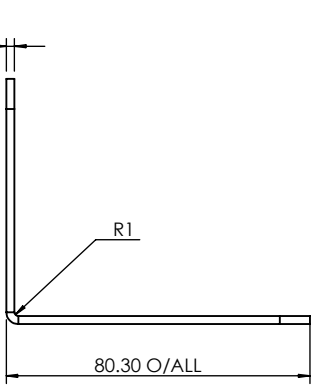
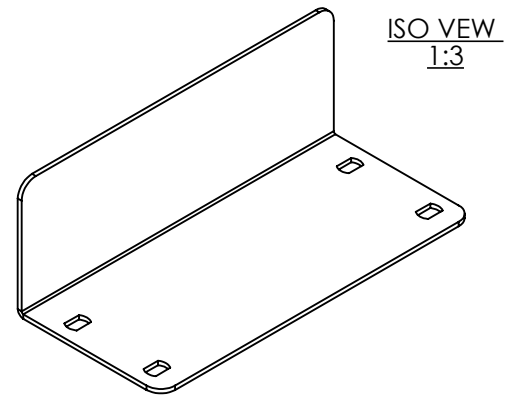
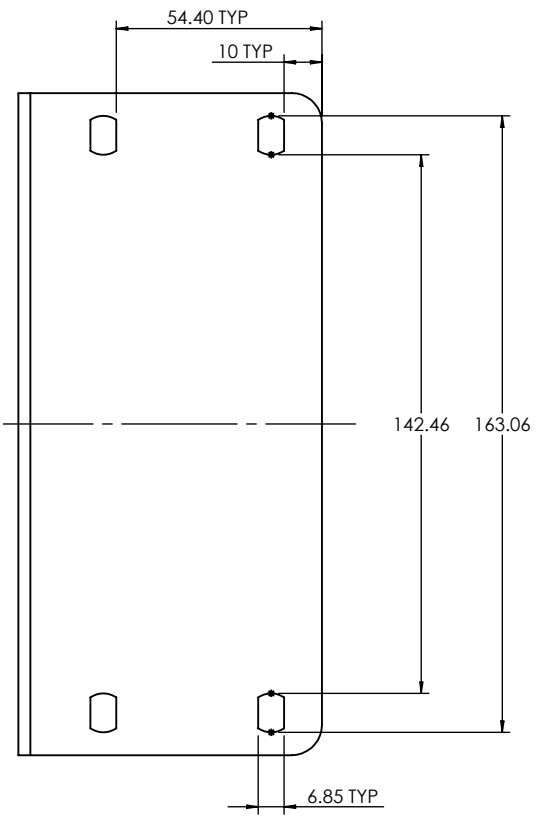
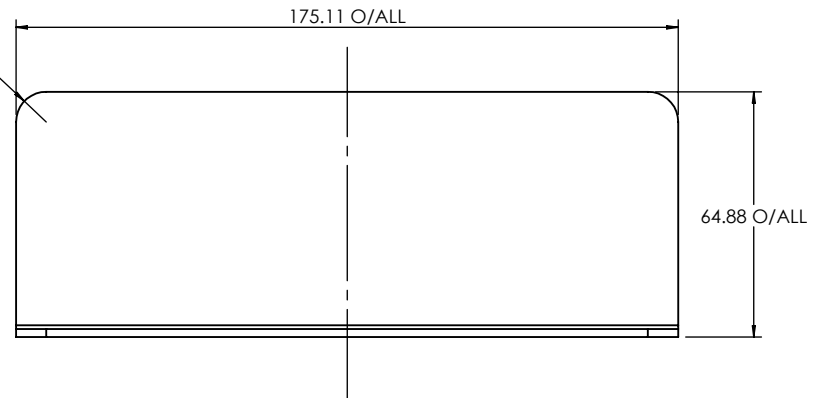


2.15 mm
WALL THK



R8 TYP



-	-	-	-	-	-
B	14/09/22	1168	MATERIAL CHANGE	I.P	-
A	11/02/13	-	FIRST DRAWN	I.P	-
REV	DATE	ECR	CHANGE NOTE	NAME	CHK'D



DRAWING UNITS: MILLIMETERS
TOLERANCES +/- 0.2

COLOUR. NONE
FINISH. Zintec
MATERIAL. Zintec

GAUGE -
TITLE: DRAWING FOR GUIDED FRONT MOUNT
DWG NO.

DO NOT SCALE DRAWING
DEBURR AND BREAK SHARP EDGES
SCALE: 1:2
CAXFMG001

SHEET 1 OF 1
A4