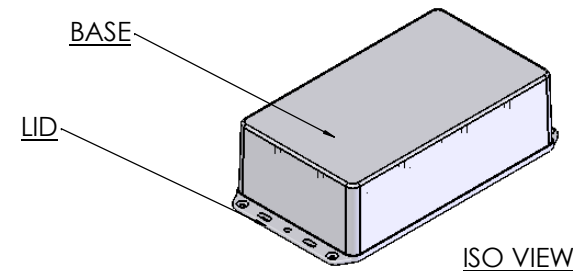


OVERALL ASSEMBLY DIMENSIONS:

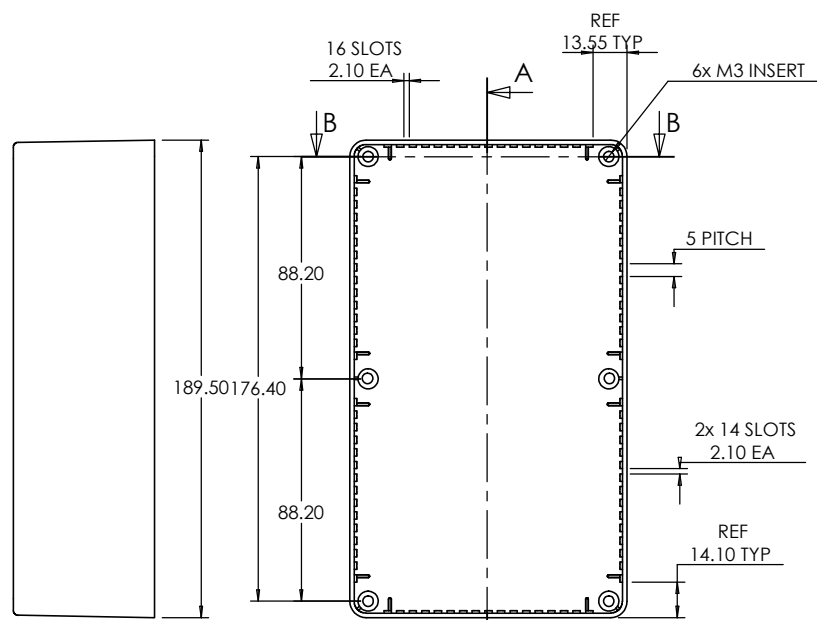
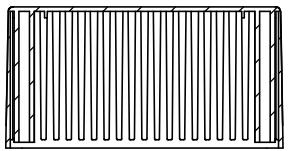
EXTERNAL - 213 x 112.3 x 60.7

INTERNAL - 186.4 x 106.4 x 56.4

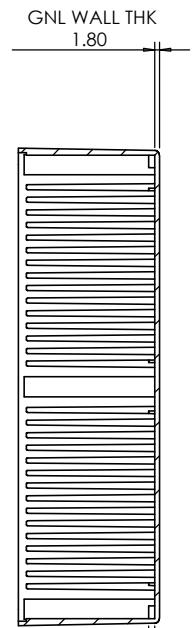


ISO VIEW
1:5

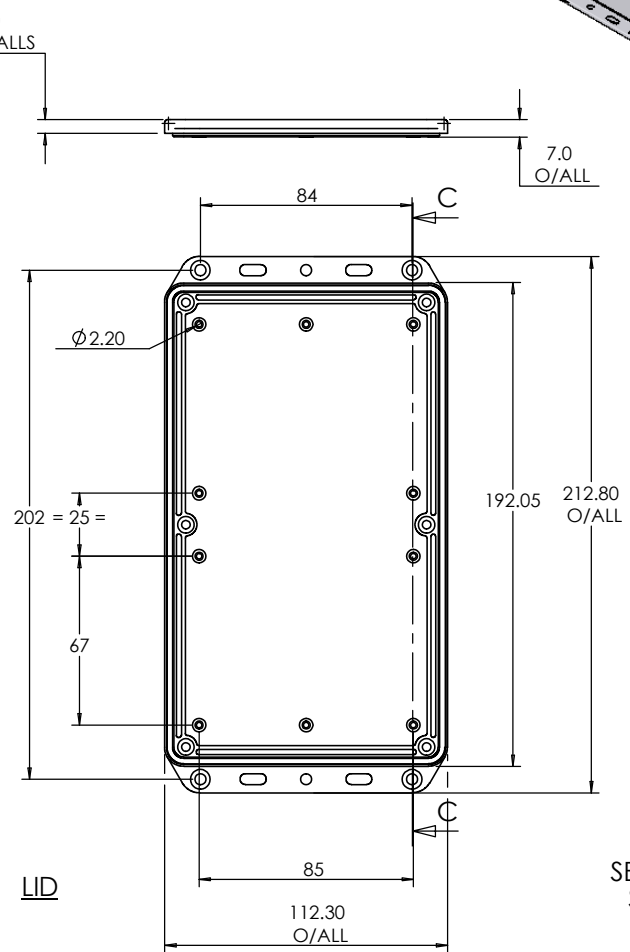
SECTION B-B



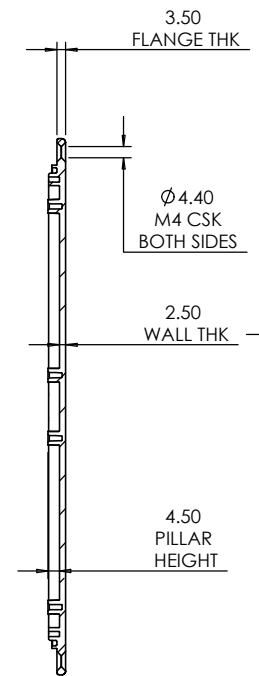
BASE



SECTION A-A
SCALE 1:3



LID



SECTION C-C
SCALE 1:3

<p>CAMDENBOSS JAMES CARTER RD, MILDENHALL, SUFFOLK. IP28 7DE TEL: 01638 716101 FAX: 01638 716554 EMAIL: Sales@CamdenBoss.com WEB: www.CamdenBoss.com</p>				UNLESS OTHERWISE SPECIFIED: DIMENSIONS ARE IN MILLIMETERS		DO NOT SCALE DRAWING		REVISION. 0	
				FINISH. SMOOTH		TITLE: GNL ASSEMBLY DRG FOR IP 2000-SERIES ENCLOSURE			
DRAWN SUBKHANKULOVA		SIGNED LS		DATE 27/02/09		MATERIAL. ABS		DWG NO. 2006-IP	
CHK'D -		-		-		PROJECTION.		SCALE: 1:2	
								SHEET 1 OF 1	