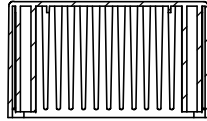


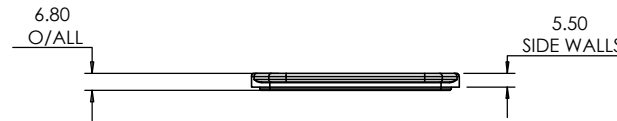
OVERALL ASSEMBLY DIMENSIONS:

EXTERNAL - 173.4 x 82.4 x 50.5

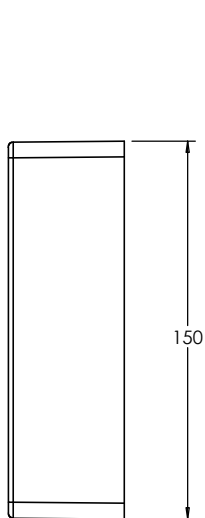
INTERNAL - 146.4 x 76.4 x 46



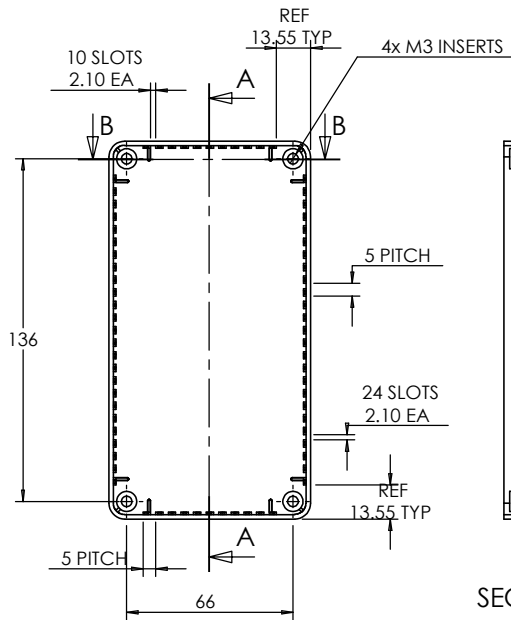
SECTION B-B



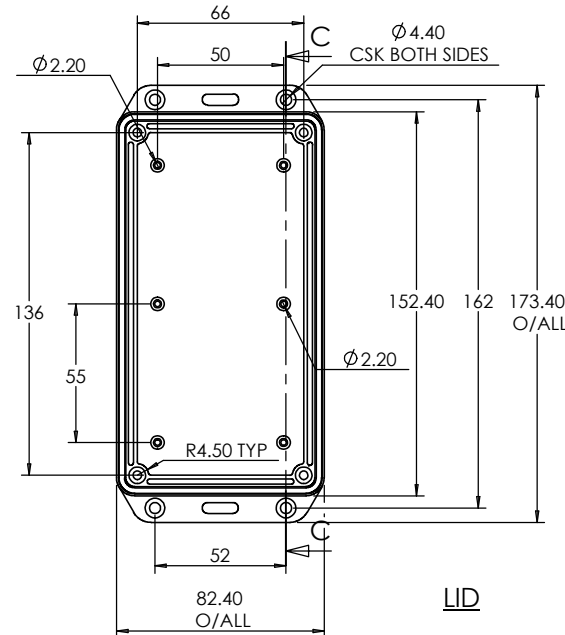
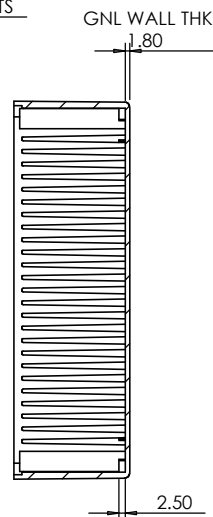
ISO VIEW
1:3



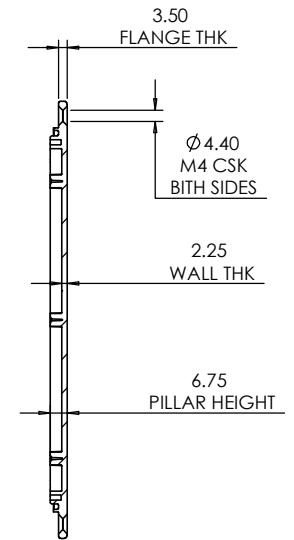
BASE



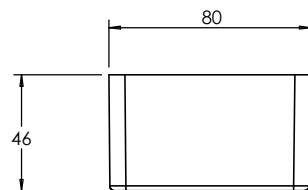
SECTION A-A


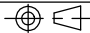


LID



SECTION C-C



 CAMDENBOSS JAMES CARTER RD, MILDENHALL, SUFFOLK. IP28 7DE TEL: 01638 716101 FAX: 01638 716554 EMAIL: Sales@CamdenBoss.com WEB: www.CamdenBoss.com				UNLESS OTHERWISE SPECIFIED: DIMENSIONS ARE IN MILLIMETERS		DO NOT SCALE DRAWING		REVISION. 0		
				FINISH. SMOOTH		TITLE: GNL ASSEMBLY DRG FOR IP 2000-SERIES ENCLOSURE				
DRAWN SUBKHANKULOVA		SIGNED LS		DATE 27/02/09		MATERIAL. ABS		DWG NO. 2005-IP		A4
CHK'D -		-		-		PROJECTION. 		SCALE: 1:3		SHEET 1 OF 1