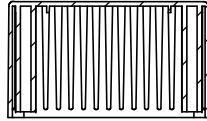


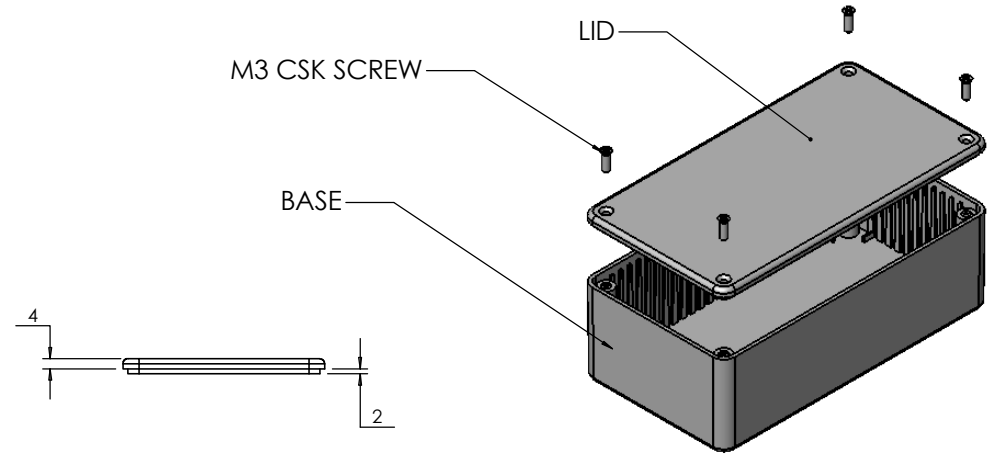
OVERALL ASSEMBLY DIMENSIONS:

EXTERNAL - 150 x 80 x 50

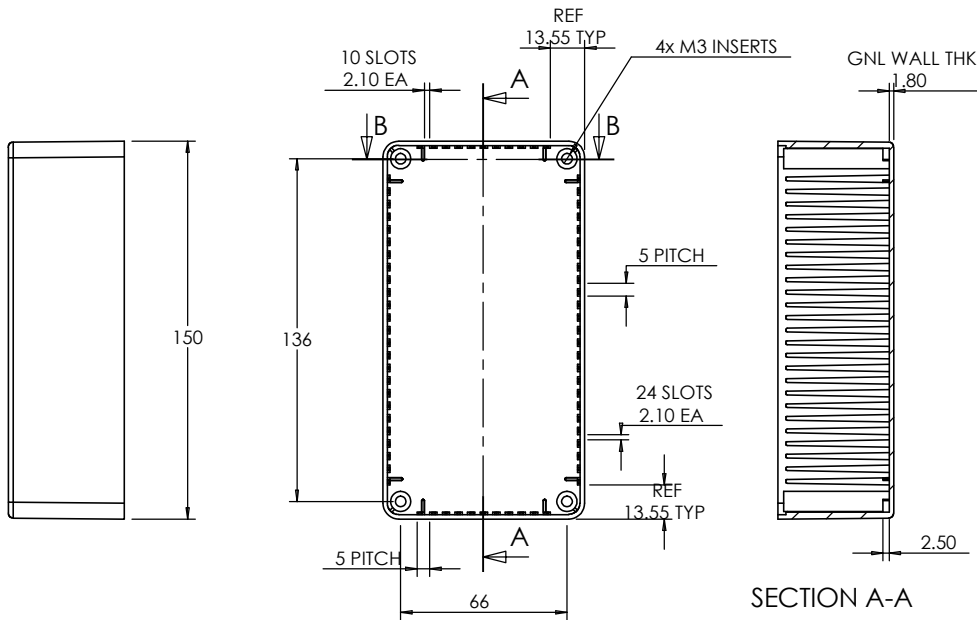
INTERNAL - 146.4 x 76.4 x 46.5



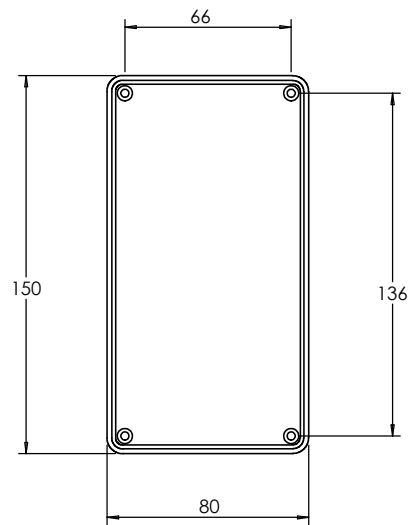
SECTION B-B



ISO VIEW
1:3

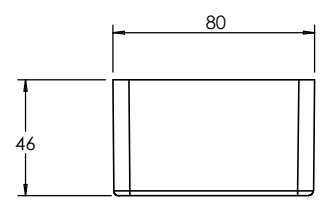



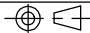
SECTION A-A



LID

BASE



 CAMDENBOSS JAMES CARTER RD, MILDENHALL, SUFFOLK, IP28 7DE TEL: 01638 716101 FAX: 01638 716554 EMAIL: Sales@CamdenBoss.com WEB: www.CamdenBoss.com				UNLESS OTHERWISE SPECIFIED: DIMENSIONS ARE IN MILLIMETERS		DO NOT SCALE DRAWING		REVISION. 0		
				FINISH. SMOOTH		TITLE: ASSEMBLY DRG FOR 2005,15				
DRAWN S.HARDINGE		SIGNED SJH		DATE 05/10/05		MATERIAL. ABS		DWG NO. 2005,15		A4
CHK'D -		-		-		PROJECTION. 		SCALE: 1:3		SHEET 1 OF 1