

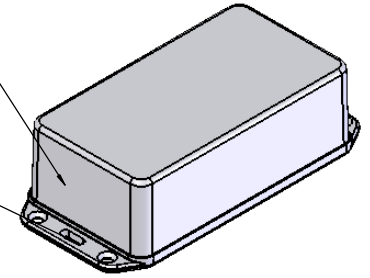
OVERALL ASSEMBLY DIMENSIONS:

EXTERNAL - 143.3 x 67.3 x 40.3

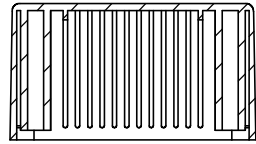
INTERNAL - 116.4 x 61.4 x 36.2

BASE

LID

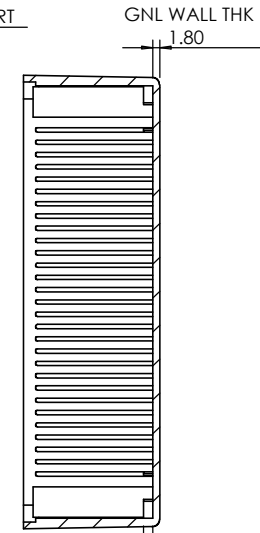


ISO VIEW
1:3

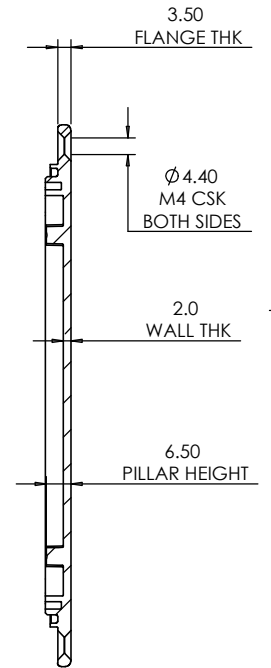


SECTION A-A

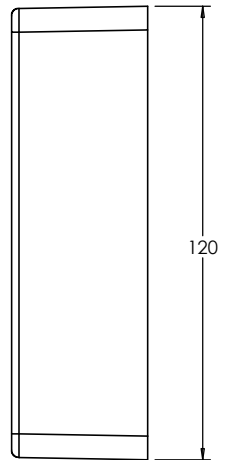
5.50
SIDE WALLS



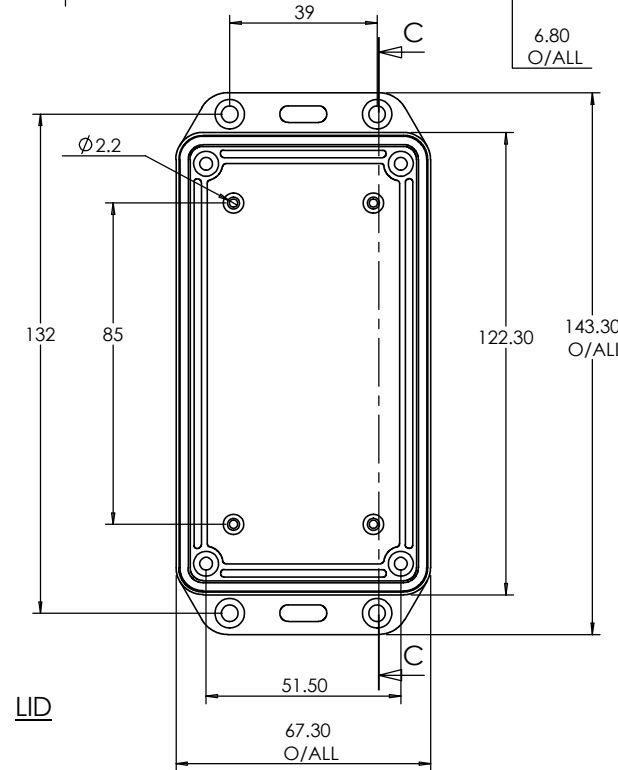
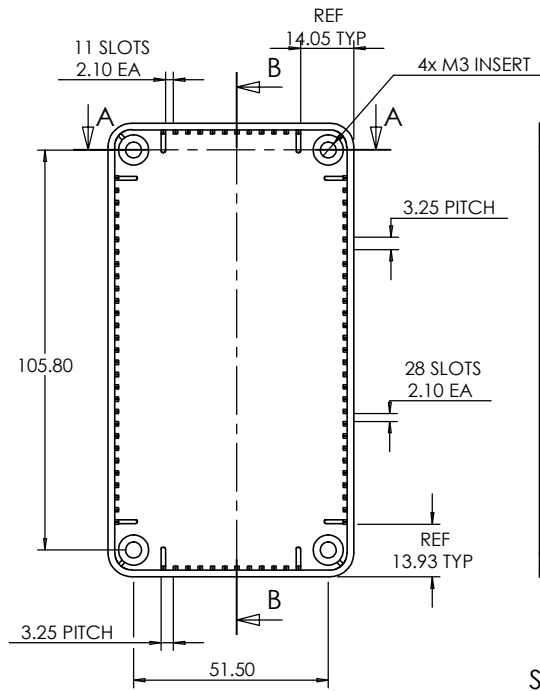
SECTION B-B



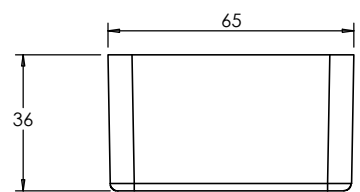
SECTION C-C



BASE



LID



<p>CAMDENBOSS JAMES CARTER RD, MILDENHALL, SUFFOLK. IP28 7DE TEL: 01638 716101 FAX: 01638 716554 EMAIL: Sales@CamdenBoss.com WEB: www.CamdenBoss.com</p>		UNLESS OTHERWISE SPECIFIED: DIMENSIONS ARE IN MILLIMETERS		DO NOT SCALE DRAWING		REVISION. 0	
		FINISH. SMOOTH		TITLE: GNL ASSY DRG FOR IP 2000-SERIES ENCLOSURE			
DRAWN SUBKHANKULOVA		SIGNED LS		DATE 27/02/09		MATERIAL. ABS	
CHKD -		-		-		DWG NO. 2004-IP	
				PROJECTION.		SCALE. 1:2	
						SHEET 1 OF 1	

A4