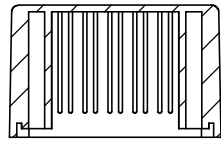


OVERALL ASSEMBLY DIMENSIONS:

EXTERNAL - 85 x 56 x 39

INTERNAL - 81.4 x 52.4 x 35.4



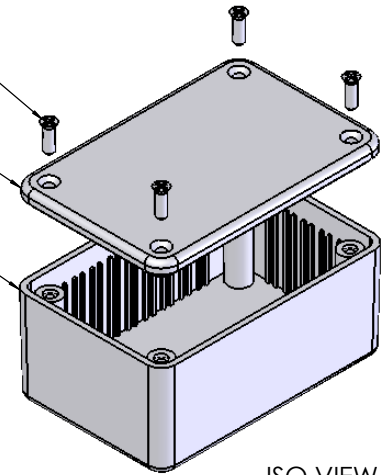
SECTION B-B



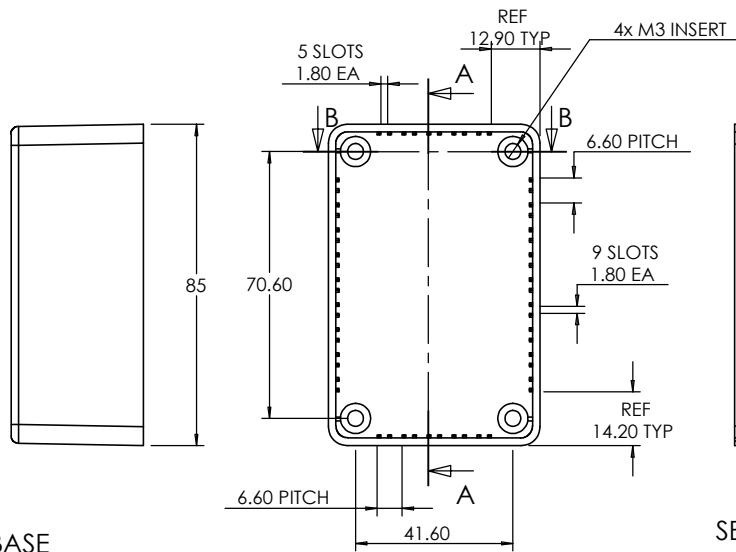
M3 CSK SCREW

LID

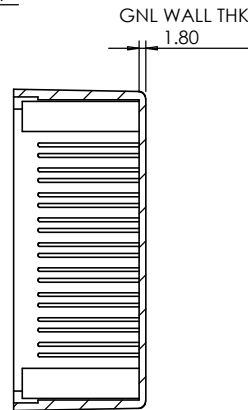
BASE



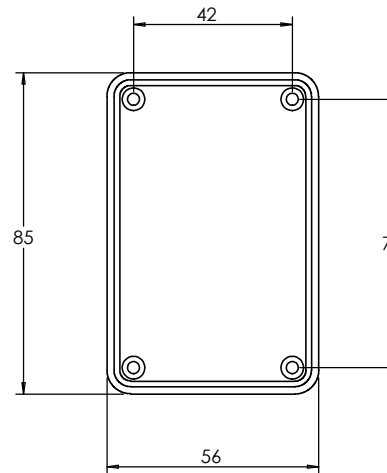
ISO VIEW



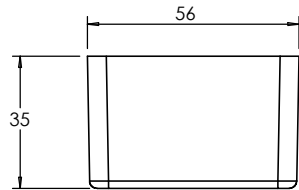
BASE


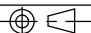


SECTION A-A



LID



 CAMDENBOSS JAMES CARTER RD, MILDENHALL, SUFFOLK. IP28 7DE TEL: 01638 716101 FAX: 01638 716554 EMAIL: Sales@CamdenBoss.com WEB: www.CamdenBoss.com				UNLESS OTHERWISE SPECIFIED: DIMENSIONS ARE IN MILLIMETERS		DO NOT SCALE DRAWING		REVISION. 0		
				FINISH. SMOOTH		TITLE: ASSEMBLY DRG FOR 2001/11				
DRAWN S.HARDINGE		SIGNED SJH		DATE 30/09/05		MATERIAL. ABS		DWG NO. 2001,11		A4
CHKD -		-		-		PROJECTION. 		SCALE: 1 : 2		SHEET 1 OF 1