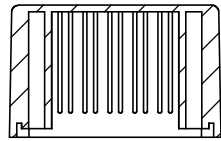


OVERALL ASSEMBLY DIMENSIONS:

EXTERNAL - 85 x 56 x 39

INTERNAL - 81.4 x 52.4 x 35.4



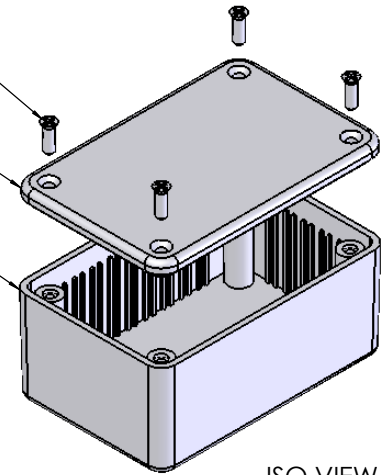
SECTION B-B



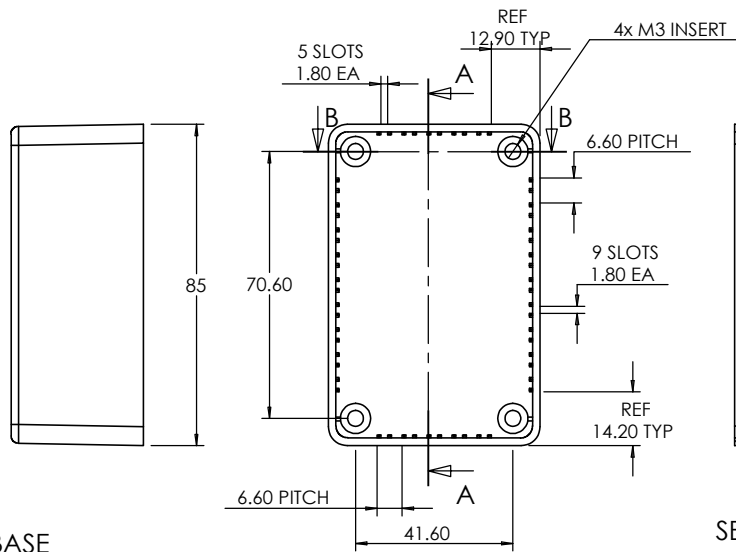
M3 CSK SCREW

LID

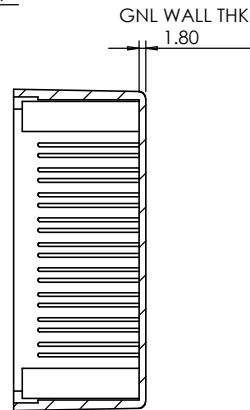
BASE



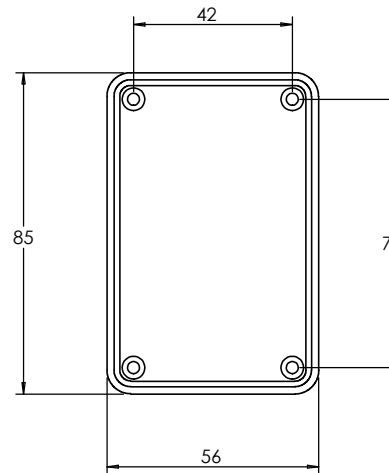
ISO VIEW



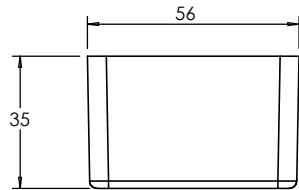
BASE


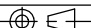


SECTION A-A



LID



|   |  |               |  |  |  |  |  |                           |  |              |
|---|--|---------------|--|--|--|--|--|---------------------------|--|--------------|
| <br><b>CAMDENBOSS</b><br>JAMES CARTER RD, MILDENHALL, SUFFOLK. IP28 7DE<br>TEL: 01638 716101 FAX: 01638 716554<br>EMAIL: Sales@CamdenBoss.com<br>WEB: www.CamdenBoss.com |  |               |  | UNLESS OTHERWISE SPECIFIED:<br>DIMENSIONS ARE IN MILLIMETERS |  | DO NOT SCALE DRAWING   |  | REVISION. 0               |  |              |
|   |  |               |  | FINISH.<br><b>SMOOTH</b>                                     |  | TITLE:<br><b>ASSEMBLY DRG FOR 2001/11</b>  |  |                           |  |              |
| DRAWN<br>S.HARDINGE   |  | SIGNED<br>SJH |  | DATE<br>30/09/05   |  | MATERIAL.<br><b>ABS</b>  |  | DWG NO.<br><b>2001,11</b> |  | A4           |
| CHKD<br>-   |  | -             |  | -  |  | PROJECTION.<br> |  | SCALE: 1 : 2              |  | SHEET 1 OF 1 |