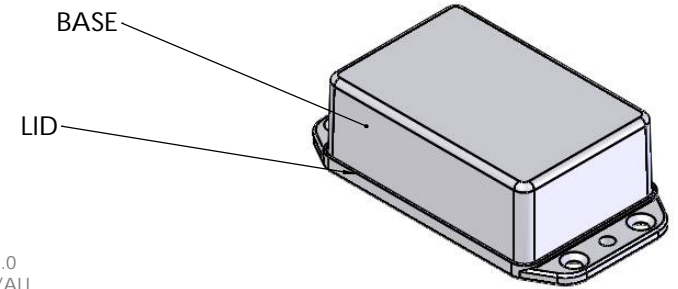


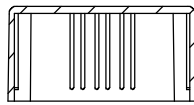
OVERALL ASSEMBLY DIMENSIONS:

EXTERNAL - 99 x 52 x 28

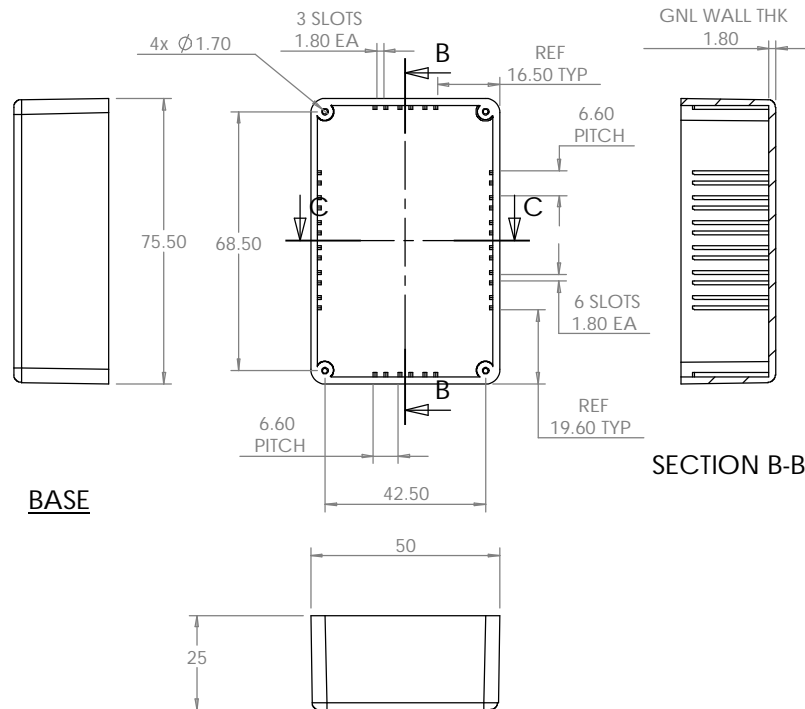
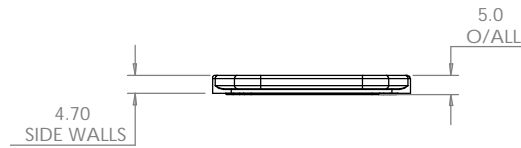
INTERNAL - 71.4 x 46.4 x 25



ISO VIEW
1:2

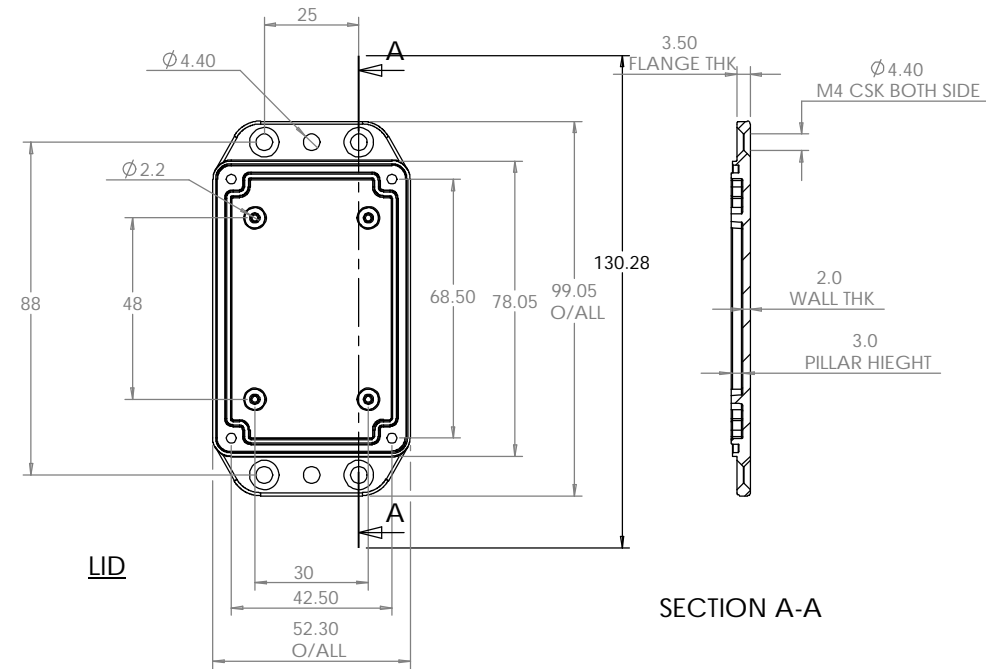


SECTION C-C



BASE

SECTION B-B



LID

SECTION A-A



CAMDENBOSS
CONNECT. ENCLOSE. INNOVATE.

JAMES CARTER RD, MILDENHALL, SUFFOLK, IP28 7DE
TEL: 01638 716101 FAX: 01638 716554
EMAIL: Sales@CamdenBoss.com
WEB: www.CamdenBoss.com

UNLESS OTHERWISE SPECIFIED:
DIMENSIONS ARE IN MILLIMETERS

FINISH:
CLEAN & BURR FREE

COLOUR:

MATERIAL:
ABS

PROJECTION:

GENERAL TOLERANCES +/- 0.2

REVISION: A

TITLE: 2000 Flanged Assembly

DWG NO.

BIM2000/IP

A4

DRAWN	NAME	SIGNED	DATE
S.HARDINGE	SJH		11/11/08
CHKD	M.LOCKWOOD	ML	04/11/19

SCALE: -

SHEET 1 OF 1

DO NOT SCALE DRAWING

REV	CHANGE NOTE	DATE	BY	ECR
A	New template	04/11/19	ML	ECR 000-715
1	CHANGE NOTE	DATE	BY	ECR