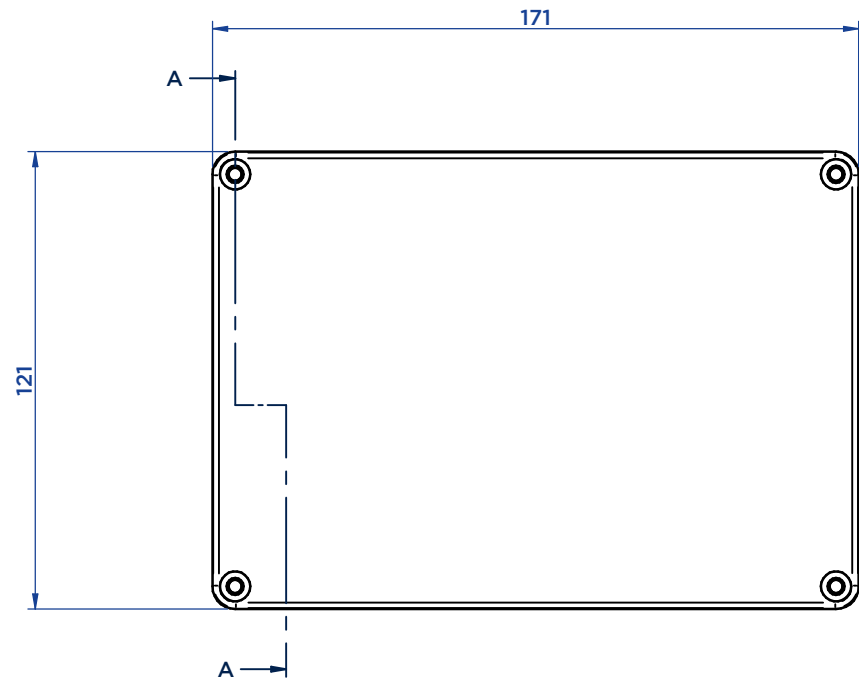
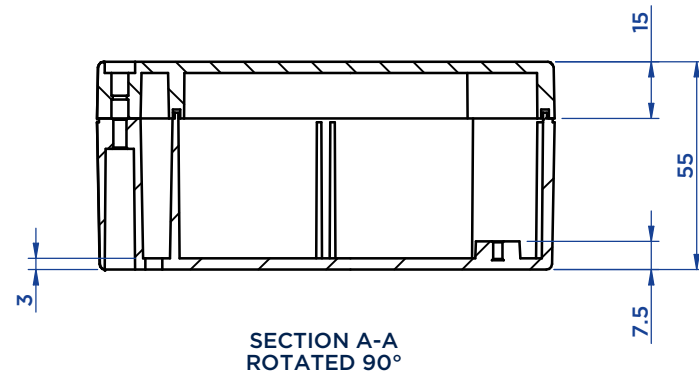
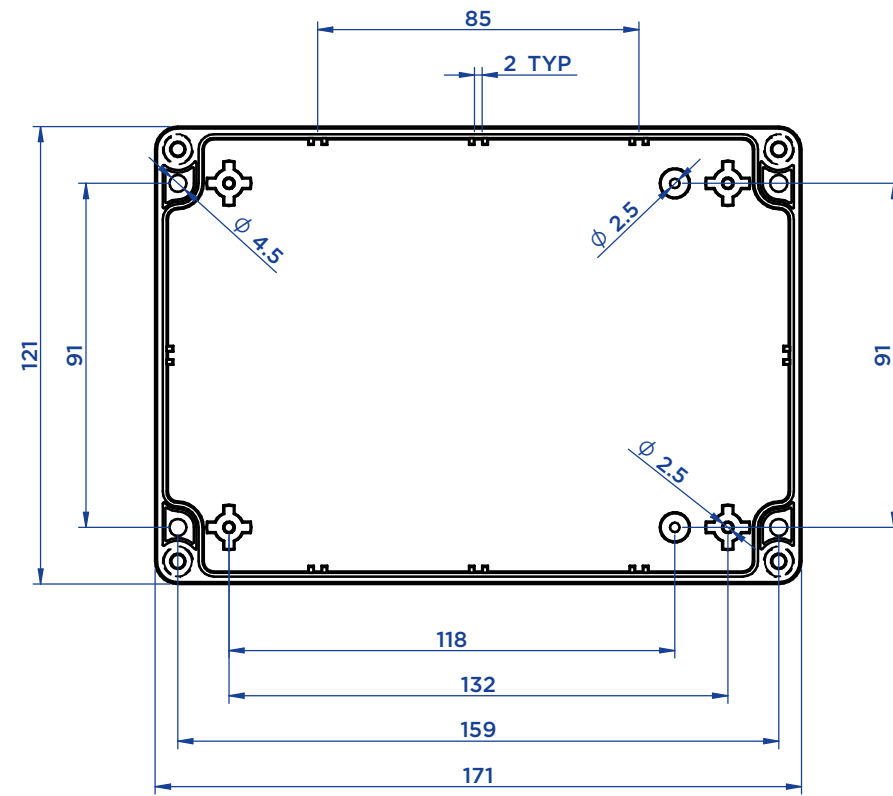
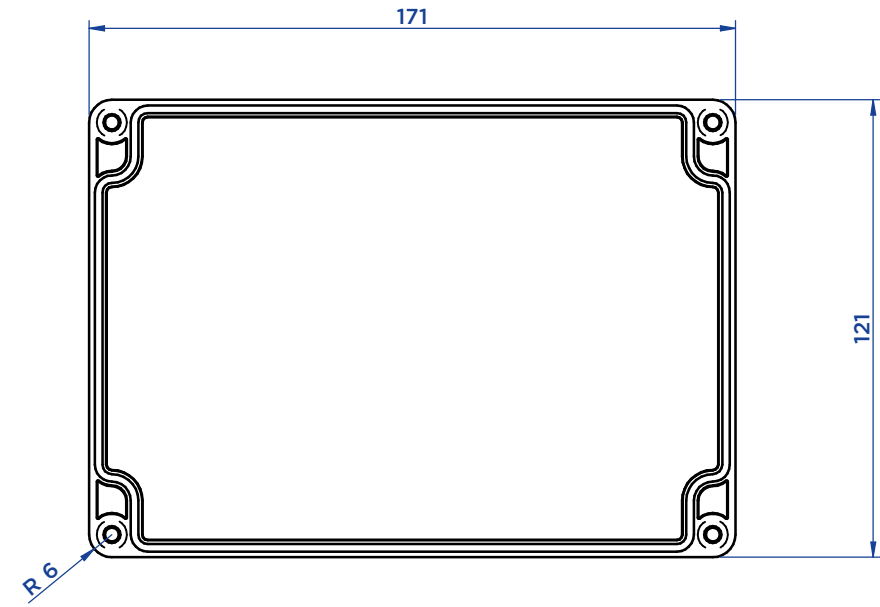


# ASSEMBLY



# LID



# BODY

REVISION	DATE	INPD #	DESCRIPTION	COMPLETED BY
-	-	-	-	-
A	08.03.24	522	UPDATED TO LATEST CAD	S. HARDINGE
O	26.02.09	-	FIRST DRAWN	L. SUBKHANKULOVA

**CAMDENBOSS**  
CONNECT. ENCLOSE. INNOVATE.

DRAWING UNITS: MILLIMETERS  
TOLERANCES: SEE CRITICAL DIMENSIONS

PROJECTION

COLOUR:  
SEE DATASHEET

FINISH:  
SMOOTH

MATERIAL:  
ABS

GAUGE:

DO NOT SCALE DRAWING  
DEBURR AND BREAK SHARP EDGES

TITLE:  
GNL ASSEMBLY DRG FOR 7300 SERIES  
SIZE 313

DWG NO:  
7300\_313 -A

SCALE:  
1:2

SHEET 1 OF 1

**A3**