

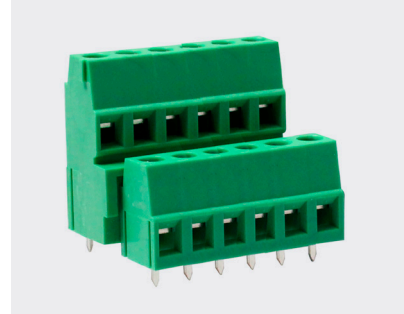
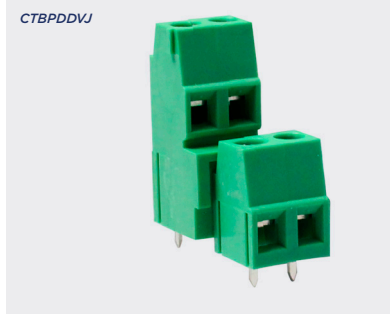


# 5.08mm double decker rising clamp terminal blocks

## Product overview

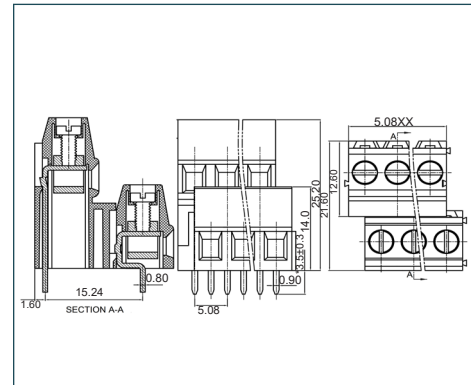
- 4(2x2) and 6(3x3) pole double interlocking systems for increased strength
- Double decker
- Professional rising clamp terminals
- Moulded in green UL94-V0 flame retardant PA66
- 2.5mm<sup>2</sup> - IEC
- 30-14 AWG - UL
- Captive screws
- Guided pin alignment
- Complies to EN60947-7-4

CTBPDDVJ



SPECIFICATION	
Rating	UL=15A/300V VDE=18A/250V
Insulation resistance	500M $\Omega$ /500V
Withstand voltage	AC2000V/1min
Contact resistance	20m $\Omega$ (max)
Working temperature	-40°C to +105°C
Moulding	UL94-V0 flame retardant PA66
Pin/terminal	Tin plated brass
Rising clamp	Brass, nickel plated
Screw/torque	M2.5 steel, zinc plated
Recommended PCB hole size	$\phi$ 1.5mm

PART NO.	POLES	LENGTH
CTBPDDVJ/2	4	12.7mm
CTBPDDVJ/3	6	17.78mm
CTBPDDVJ/4	8	22.86mm
CTBPDDVJ/5	10	27.94mm
CTBPDDVJ/6	12	33.02mm
CTBPDDVJ/7	14	38.1mm
CTBPDDVJ/8	16	43.18mm
CTBPDDVJ/9	18	48.26mm
CTBPDDVJ/10	20	53.34mm
CTBPDDVJ/11	22	58.42mm
CTBPDDVJ/12	24	63.5mm



## KEY FEATURES

Captive screws | Double interlock mechanism | Professional rising clamp

