


10mm low profile 90° rising clamp terminal blocks

Product overview

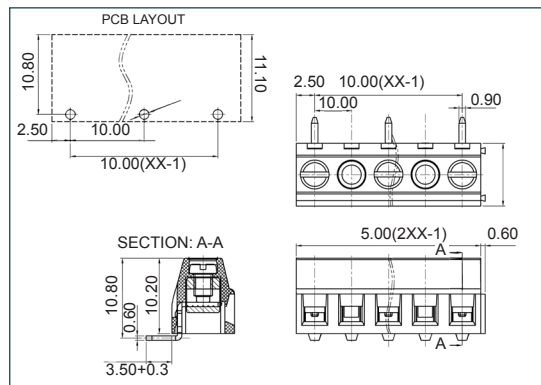
- 1 and 2 pole double interlocking mechanism for increased strength
- Moulded in green UL94-V0 flame retardant PA
- Professional rising clamp terminals
- Cable acceptance - 0.33-1.3mm² (22-16 AWG)
- Guided pin alignment
- Captive screws
-  approved

CTBP6550



SPECIFICATION	
Rating	16A / 300V
Insulation resistance	500M Ω / 500V
Withstand voltage	AC 1600V / 1Min
Contact resistance	20m Ω (max)
Working temperature	-40°C to +105°C
Moulding	UL94-V0 flame retardant PA66
Pin/terminal	Tin plated brass
Rising clamp	Nickel plated brass
Screw/torque	M2.5 steel, zinc plated / 0.4Nm
Recommended PCB hole size	\varnothing 1.3mm

PART NO.	POLES	LENGTH
CTBP6550/1	1	10mm
CTBP6550/1/15	1	15mm
CTBP6550/2	2	15mm
CTBP6550/3	3	25mm
CTBP6550/4	4	35mm
CTBP6550/5	5	45mm
CTBP6550/6	6	55mm
CTBP6550/7	7	65mm
CTBP6550/8	8	75mm
CTBP6550/9	9	85mm
CTBP6550/10	10	95mm
CTBP6550/11	11	105mm
CTBP6550/12	12	115mm



KEY FEATURES

Low profile | Double interlocking mechanism | Rising clamp terminals



081

TERMINAL STRIPS

095

WIRE TO BOARD
CONNECTORS

100

CIRCULAR
CONNECTORS

151

IP68 CONNECTORS

158

INTERFACE
MODULES AND
RELAY BASES