
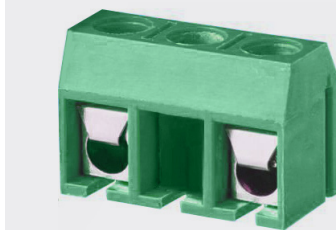


# 10mm pitch low profile 90° wire protector terminal blocks

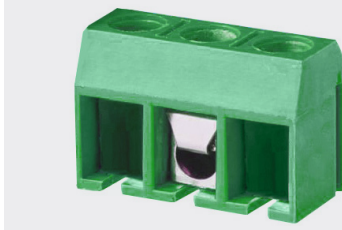
## Product overview

- 1 and 2 pole interlocking mechanism
- 3-6 pole solid block end stackable
- Moulded in green UL94-V0 flame retardant PA
- 90° mounting
- Cable acceptance - 0.33-2mm<sup>2</sup> (22-14AWG)
- Wire protector terminals
- Guided pin alignment
- Captive screws
- Anti solder wicking terminals
-  approved

CTBP6050

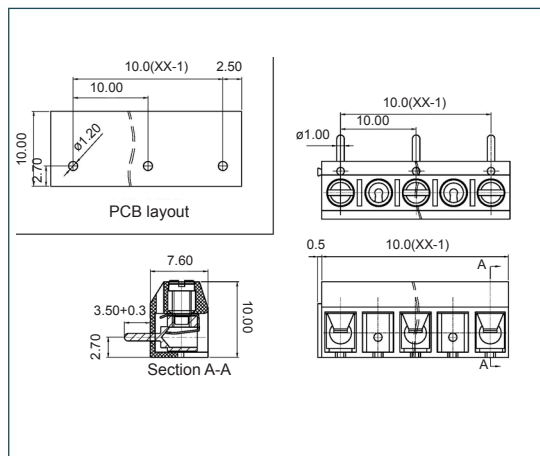


CTBP6050/1/15



SPECIFICATION	
Rating	16A / 250V
Withstand voltage	AC 1500V / 1Min
Working temperature	-40°C to +105°C
Moulding	UL94-V0 flame retardant PA
Pin/terminal	Tinned, nickel plated brass
Wire protector	Tin plated, phosphor bronze
Screw/torque	M2.5 steel, zinc plated / 0.4Nm
Recommended PCB hole size	Ø1.3mm

PART NO.	POLES	LENGTH
CTBP6050/1	1	10mm
CTBP6050/1/15	1	15mm
CTBP6050/2	2	15mm
CTBP6050/3	3	25mm
CTBP6050/4	4	35mm
CTBP6050/5	5	45mm
CTBP6050/6	6	55mm
CTBP6050/7	7	65mm
CTBP6050/8	8	75mm
CTBP6050/9	9	85mm
CTBP6050/10	10	95mm
CTBP6050/11	11	105mm
CTBP6050/12	12	115mm



081

TERMINAL STRIPS

095

WIRE TO BOARD  
CONNECTORS

100

CIRCULAR  
CONNECTORS

151

IP68 CONNECTORS

158

INTERFACE  
MODULES AND  
RELAY BASES

## KEY FEATURES

Low profile | Interlocking mechanism | Wire protector terminals

