



002

PCB TERMINAL
BLOCKS

10mm pitch standard profile terminal blocks

081

TERMINAL STRIPS

095

WIRE TO BOARD
CONNECTORS

100

CIRCULAR
CONNECTORS

151

IP68 CONNECTORS

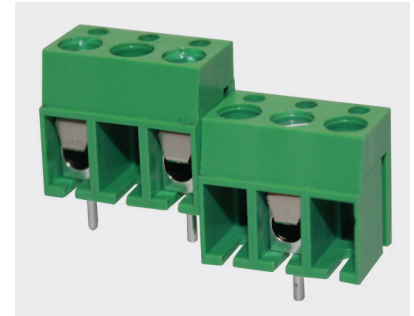
158

INTERFACE
MODULES AND
RELAY BASES

Product overview

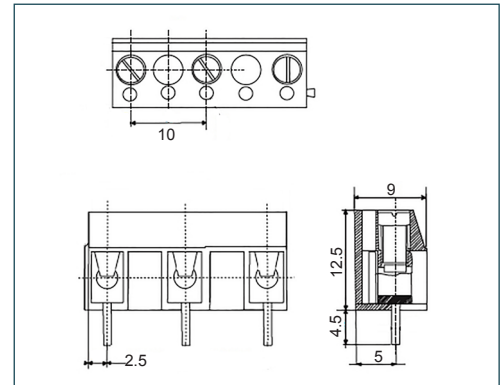
- 2 to 12 pole interlocking
- Wire protector terminals
- Standard profile
- Moulded in green UL94-V0 PA66
- Cable acceptance - 0.4-1.3mm² (26-16 AWG)
- Guided pin alignment
- approved

CTBP2000



SPECIFICATION	
Rating	16A 250V
Dielectric strength	5000M Ω/1000V
Insulation resistance	AC1500V/1min
Working temperature	20m Ω
Moulding	-33°C to +120°C
Pin/terminal	UL94-V0 flame retardant PA66
Wire clamp	Stainless steel
Screw/torque	M3 steel, nickel plated 0.4Nm
Recommended PCB hole size	ø1.1mm

PART NO.	POLES	LENGTH
CTBP2000/2	2	15mm
CTBP2000/3	3	25mm
CTBP2000/4	4	35mm
CTBP2000/5	5	45mm
CTBP2000/6	6	55mm
CTBP2000/7	7	65mm
CTBP2000/8	8	75mm
CTBP2000/9	9	85mm
CTBP2000/10	10	95mm
CTBP2000/11	11	105mm
CTBP2000/12	12	115mm



KEY FEATURES

Green UL94-V0 moulding | Interlock mechanism | Wire protector terminals

