

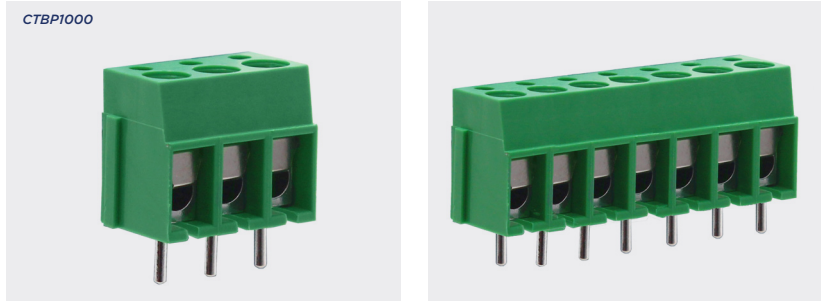


5mm pitch standard profile screw terminal blocks

Product overview

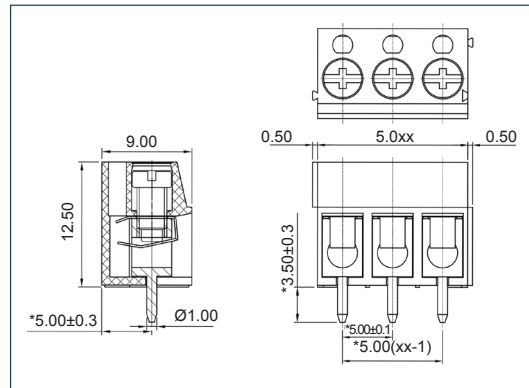
- 2 and 3 pole interlocking
- Wire protector terminals
- Standard profile
- Moulded in UL94-V0 flame retardant PA66
- Cable acceptance - 0.6-1.6mm² (22-14AWG)
- Guided pin alignment
- Anti solder wicking terminals
- approved

CTBP1000



SPECIFICATION	
Rating	UL=16A/300V, VDE=24A/250V
Insulation resistance	500M Ω /500V
Withstand voltage	AC2000V/1min
Contact resistance	20m Ω (max)
Working temperature	-40°C to +105°C
Moulding	UL94-V0 flame retardant PA66
Pin/terminal	Tin plated brass
Wire protector	Phosphor bronze, nickel plated
Screw/torque	M2.5 steel, zinc plated 0.4Nm
Recommended PCB hole size	ϕ 1.5mm

PART NO.	POLES	LENGTH
CTBP1000/2	2	10mm
CTBP1000/3	3	15mm
CTBP1000/4	4	20mm
CTBP1000/5	5	25mm
CTBP1000/6	6	30mm
CTBP1000/7	7	35mm
CTBP1000/8	8	40mm
CTBP1000/9	9	45mm
CTBP1000/10	10	50mm
CTBP1000/11	11	55mm
CTBP1000/12	12	60mm



KEY FEATURES

Wire protector terminals | Interlock mechanism | Standard profile

