



002


PCB TERMINAL
BLOCKS

7.62mm pitch high power rising clamp terminal blocks

081

TERMINAL STRIPS

Product overview

- 2 and 3 pole double interlocking mechanism for increased strength
- 4-12 pole pre-assembled
- Moulded in green UL94-V0 flame retardant PA
- Cable acceptance - 0.13-3.31mm² (26-12AWG)
- Professional rising clamp terminals
- Guided pin alignment
- Captive screws
-  us approved

CTBP07VL



100

CIRCULAR
CONNECTORS

151

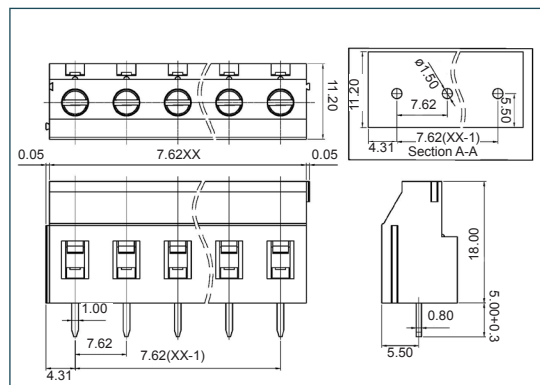
IP68 CONNECTORS

158

INTERFACE
MODULES AND
RELAY BASES

SPECIFICATION	
Rating	20A / 300V
Withstand voltage	AC1600V / 1min
Working temperature	-40°C to +105°C
Moulding	UL94-V0 flame retardant PA66
Pin/terminal	Tinned, nickel plated brass
Rising clamp	Tinned, nickel plated brass
Screw/torque	M3 steel, zinc plated / 0.5Nm
Recommended PCB hole size	Ø1.5mm

PART NO.	POLES	LENGTH
CTBP07VL/2	2	15.24mm
CTBP07VL/3	3	22.86mm
CTBP07VL/4	4	30.48mm
CTBP07VL/5	5	38.1mm
CTBP07VL/6	6	45.72mm
CTBP07VL/7	7	53.34mm
CTBP07VL/8	8	60.96mm
CTBP07VL/9	9	68.58mm
CTBP07VL/10	10	76.2mm
CTBP07VL/11	11	83.82mm
CTBP07VL/12	12	91.44mm



KEY FEATURES

High power | Double interlock mechanism | Rising clamp terminals

