

002
PCB TERMINAL
BLOCKS081
TERMINAL STRIPS095
WIRE TO BOARD
CONNECTORS100
CIRCULAR
CONNECTORS151
IP68 CONNECTORS158
INTERFACE
MODULES AND
RELAY BASES

5mm low profile 90° rising clamp terminal blocks

Product overview

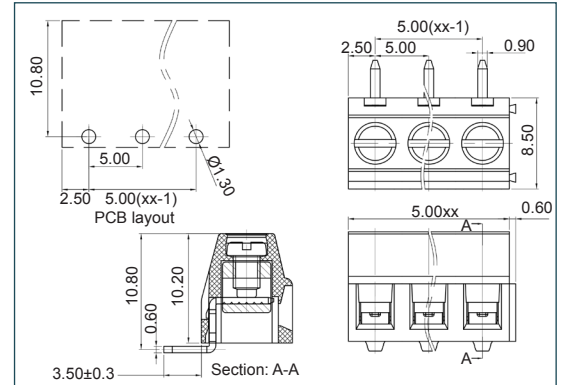
- 2 and 3 pole double interlocking mechanism for increased strength
- 4-12 pole solid block and end stackable
- Moulded in green UL94-V0 flame retardant PA
- Professional rising clamp terminals
- 0.32-1.6mm² (26-14AWG) cable
- Guided pin alignment
- Captive screw
- approved

CTBP0550



SPECIFICATION	
Rating	UL=12A/300V
Impulse withstand voltage	1.6kV/1min
Working temperature	-40 to +105°C
Moulding	UL94-V0 flame retardant PA66
Pin/terminal	Tinned, nickel plated brass
Rising clamp	Tinned, nickel plated brass
Screw/torque	M2.5 steel zinc plated, 0.4Nm
Recommended PCB hole size	ø1.3mm

PART NO.	POLES	LENGTH
CTBP0550/2	2	10mm
CTBP0550/3	3	15mm
CTBP0550/4	4	20mm
CTBP0550/5	5	25mm
CTBP0550/6	6	30mm
CTBP0550/7	7	35mm
CTBP0550/8	8	40mm
CTBP0550/9	9	45mm
CTBP0550/10	10	50mm
CTBP0550/11	11	55mm
CTBP0550/12	12	60mm



KEY FEATURES

Low profile | Double interlock mechanism | Professional rising clamp

