


PCB TERMINAL BLOCKS

10mm Pitch Low Profile 45° Rising Clamp Terminal Blocks

- 1-12 pole interlocking
- 45° mounting
- Captive screws
- Moulded in grey UL94-V0 flame retardant PA
- Professional rising clamp terminals
- 0.2-4.0mm² (30-12AWG) solid cable
- 0.2-2.5mm² (30-12AWG) stranded cable
-  approved

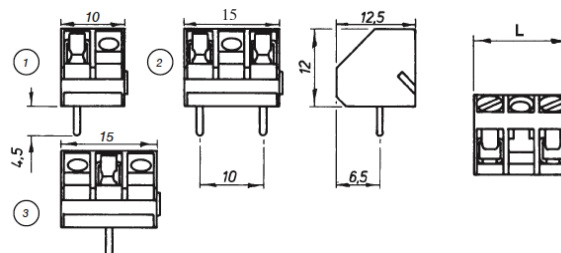
CTB4000



TYPE NO.	POLES	LENGTH
CTB4000/1	1	10mm
CTB4000/1/15	1	15mm
CTB4000/2	2	15mm
CTB4000/3	3	25mm
CTB4000/4	4	35mm
CTB4000/5	5	45mm
CTB4000/6	6	55mm
CTB4000/7	7	65mm
CTB4000/8	8	75mm
CTB4000/9	9	85mm
CTB4000/10	10	95mm
CTB4000/11	11	105mm
CTB4000/12	12	115mm


SPECIFICATION

Rating	24A/500V UL=16A/300V, VDE&IMQ=24A/750V
Dielectric strength	≥3kV
Impulse withstand voltage	6kV
Working temperature	110°C
Moulding	UL94-V0 flame retardant PA
Pin/terminal	Tinned, nickel plated brass
Rising clamp	Zinc plated steel
Screw/torque	M3 steel zinc plated, 0.5Nm
Recommended PCB hole size	ø1.3mm



1 - CTB4000/1
2 - CTB4000/1/15
3 - CTB4000/2

10mm Pitch Commercial Low Profile Screw Terminal Blocks

- 2-6 pole solid block
- End stackable
- Moulded in green UL94-V0 flame retardant PA66
- Wire protector terminals
- 0.5-4.0mm² (30-12AWG) solid cable
- 0.5-2.5mm² (30-12AWG) stranded cable
- Captive screws
- Anti solder wicking terminal
- Guided pin alignment
-  approved

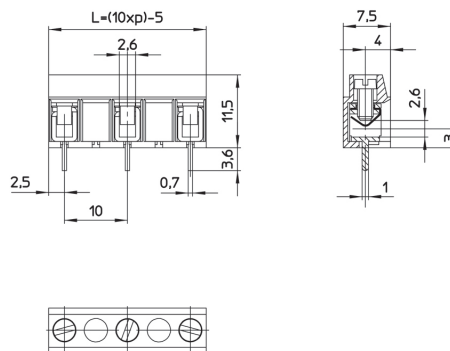
CTB55VN



TYPE NO.	POLES	LENGTH
CTB55VN/2	2	15mm
CTB55VN/3	3	25mm
CTB55VN/4	4	35mm
CTB55VN/5	5	45mm
CTB55VN/6	6	55mm

SPECIFICATION

Rating	24A/630V UL=16A/300V, VDE&IMQ=24A/750V
Dielectric strength	≥3kV
Impulse withstand voltage	6kV
Working temperature	110°C
Moulding	UL94-V0 flame retardant PA66
Pin/terminal	Tinned, nickel plated brass
Wire protector	Tin plated, phosphor bronze
Screw/torque	M2.5 steel zinc plated, 0.4Nm
Recommended PCB hole size	ø1.3mm



PCB
TERMINAL
BLOCKS

INTER-
CONNECTION

FUSES &
FUSE-
HOLDERS

LEDs &
INDICATORS

MINIATURE
SWITCHES

LIMIT &
SAFETY
SWITCHES

CONTROL
PRODUCTS

INTERFACE
MODULES &
SUPPORTS

RELAY
BASES

ENCLOSURES

BATTERIES

TRANS-
FORMERS