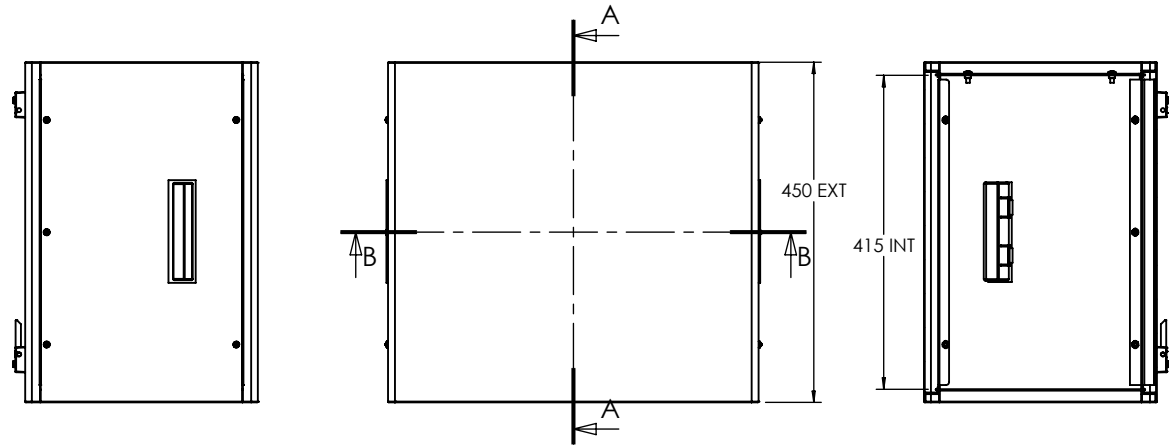
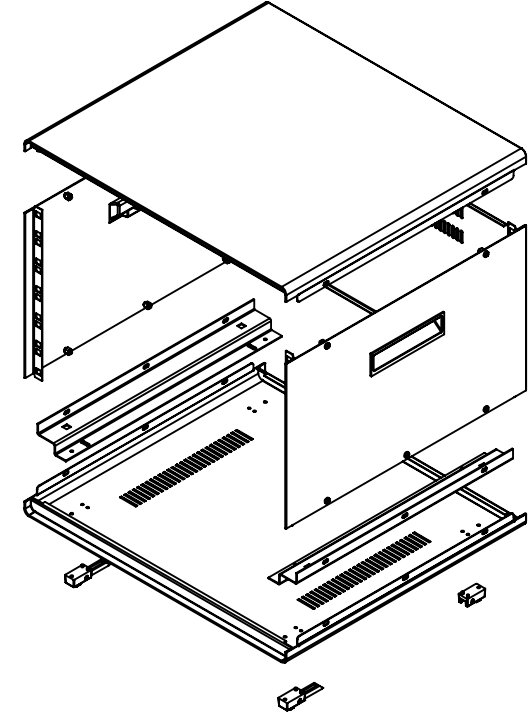
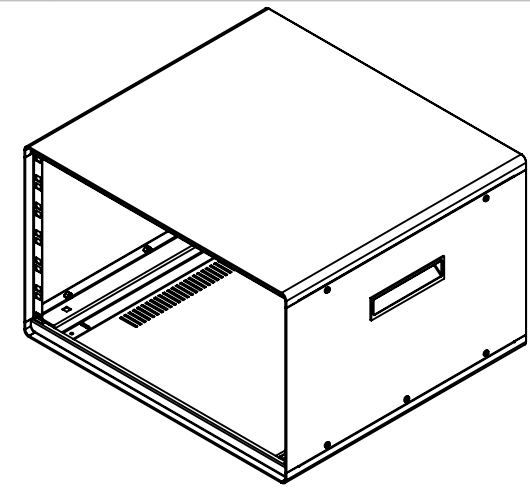
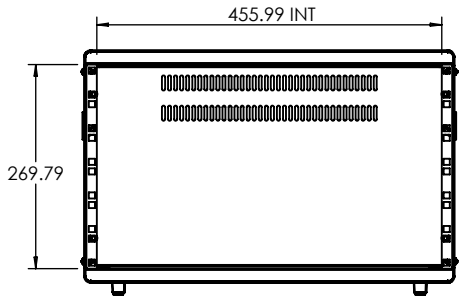


SECTION B-B



SECTION A-A



		UNLESS OTHERWISE SPECIFIED: DIMENSIONS ARE IN MILLIMETERS		DO NOT SCALE DRAWING	REVISION. <input type="checkbox"/>
		GENERAL TOLERANCES +/- 0.2		TITLE: GENERAL ASSEMBLY DRAWING FOR 19" STEEL ENCLOSURE	
JAMES CARTER RD, MILDENHALL, SUFFOLK. IP28 7DE TEL: 01638 716101 FAX: 01638 716554 EMAIL: Sales@CamdenBoss.com WEB: www.CamdenBoss.com		FINISH. SHELL - EPOXY PAINT		DWG NO. C19DE6450	
NAME	SIGNED	DATE	MATERIAL	A4	
DRAWN IAN PAGANO	I.P.	07/03/13	SHELL - 1mm STEEL HANDLES, LEGS - ABS	SCALE: 1 : 2	
CHKD -	-	-	PROJECTION.	SHEET 1 OF 1	