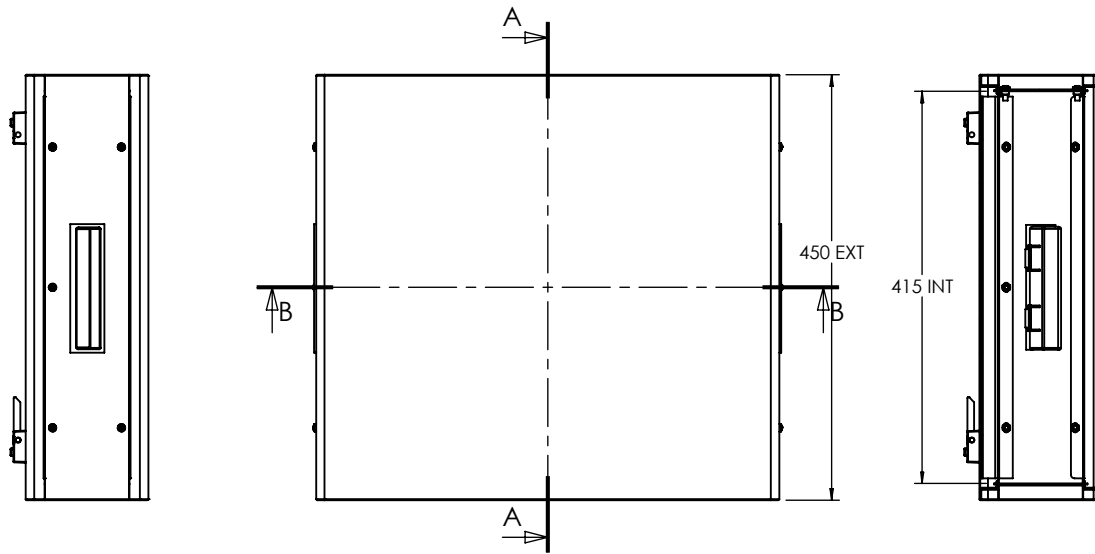
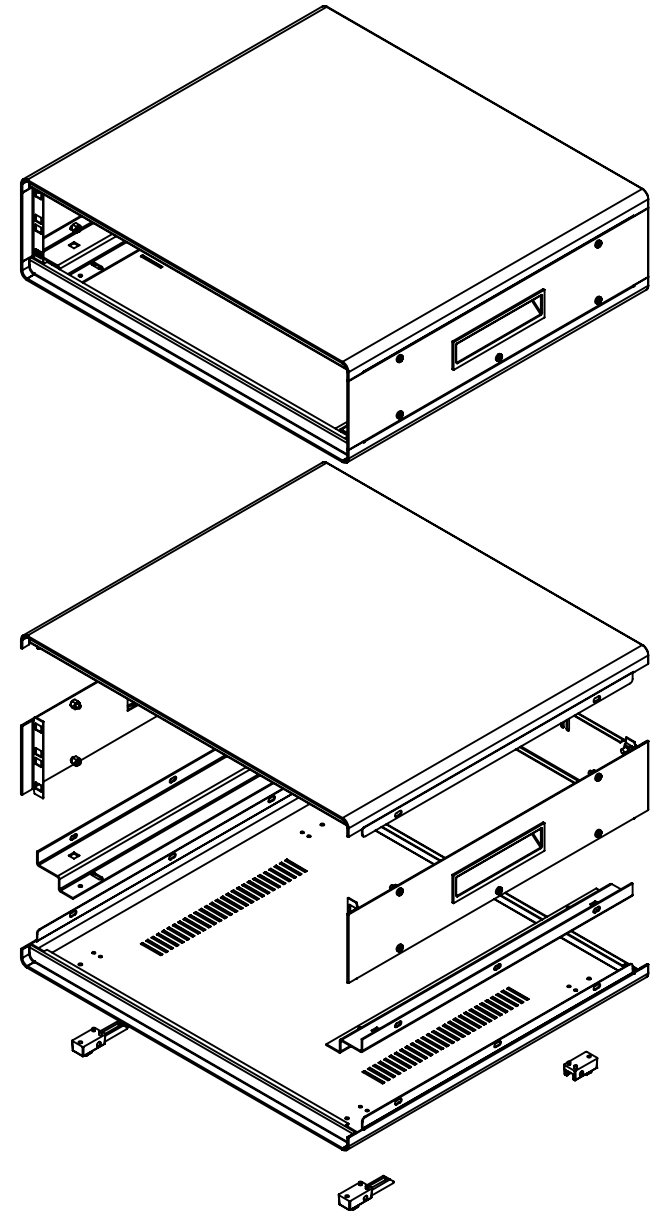
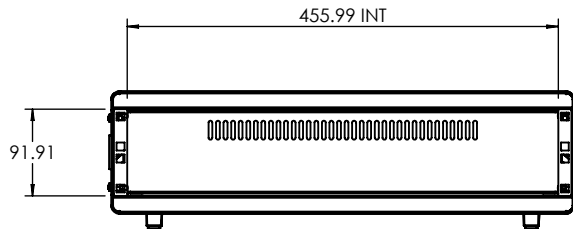


SECTION B-B



SECTION A-A



**CAMDENBOSS**  
ELECTRONICS & ENCLOSURES  
JAMES CARTER RD, MILDENHALL, SUFFOLK. IP28 7DE  
TEL: 01638 716101 FAX: 01638 716554  
EMAIL: Sales@CamdenBoss.com  
WEB: www.CamdenBoss.com

UNLESS OTHERWISE SPECIFIED:  
DIMENSIONS ARE IN MILLIMETERS

GENERAL TOLERANCES +/- 0.2

FINISH. SHELL - EPOXY  
PAINT

MATERIAL  
SHELL - 1mm STEEL  
HANDLES, LEGS - ABS

PROJECTION.

DO NOT SCALE DRAWING

REVISION.



TITLE: GENERAL ASSEMBLY DRAWING  
FOR 19" DESKTOP ENCLOSURE

DWG NO.

C19DE2450

A4

	NAME	SIGNED	DATE
DRAWN	IAN PAGANO	I.P.	07/03/13
CHKD	-	-	-

SCALE: 1 : 8

SHEET 1 OF 1