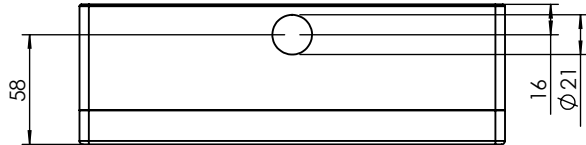


1 2 3 4 5 6

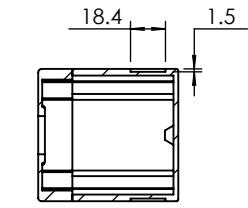
A

A

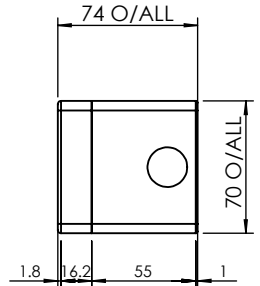
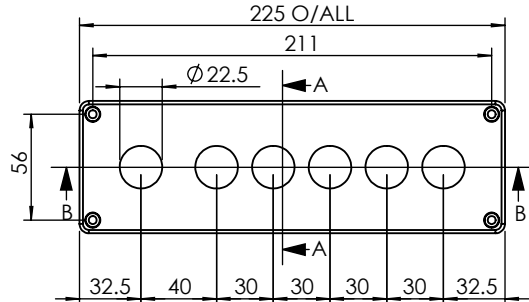


B

B

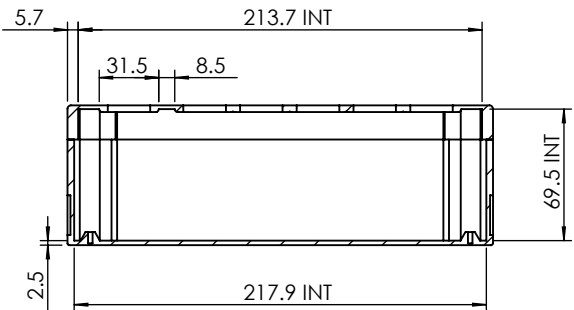


SECTION A-A
Cut-out Dimensions



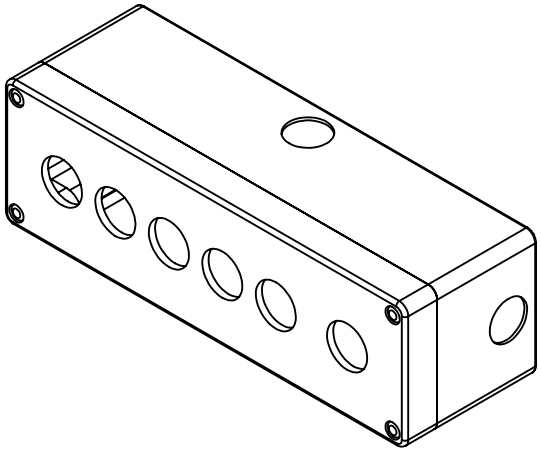
C

C



SECTION B-B

ISO VIEW
1:3



D

D

			UNLESS OTHERWISE SPECIFIED: DIMENSIONS ARE IN MILLIMETERS		DO NOT SCALE DRAWING	REVISION: <input type="checkbox"/>
			GENERAL TOLERANCES +/- 0.2		TITLE: GENERAL DIMENSION DRAWING FOR SIX BUTTON CONTROL STATION	
JAMES CARTER RD, MILDENHALL, SUFFOLK. IP28 7DE TEL: 01638 716101 FAX: 01638 716554 EMAIL: Sales@CamdenBoss.com WEB: www.CamdenBoss.com			FINISH: FINE TEXTURE		DWG NO. CCS11GY06	A4
DRAWN	NAME	SIGNED	DATE	MATERIAL: ABS	SCALE: 1:4	SHEET 1 OF 1
CHK'D	-	-	-	PROJECTION:		

1 2 3