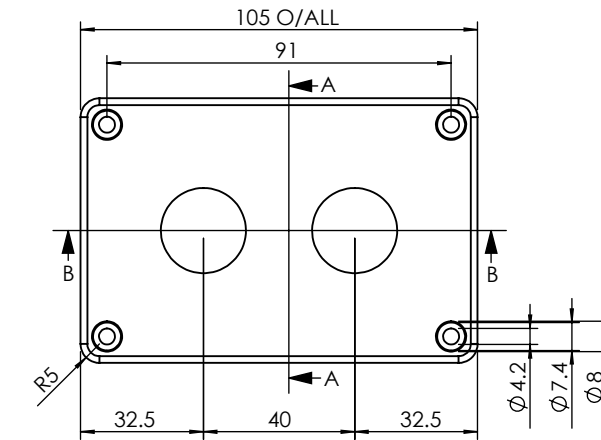
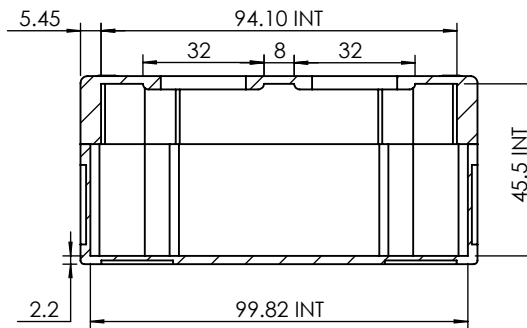
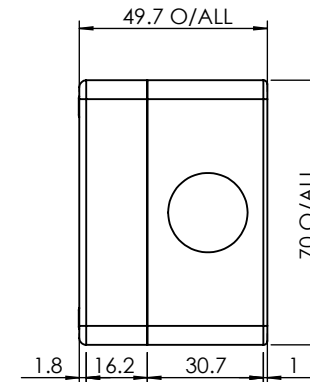


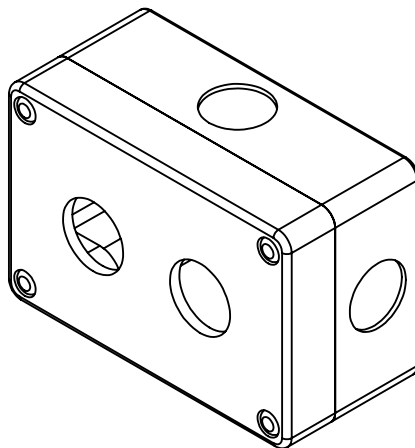
SECTION A-A  
Cut-out Dimensions



SECTION B-B



ISO VIEW  
1:2



**CAMDENBOSS**  
ELECTRONICS & ENCLOSURES  
JAMES CARTER RD, MILDENHALL, SUFFOLK. IP28 7DE  
TEL: 01638 716101 FAX: 01638 716554  
EMAIL: Sales@CamdenBoss.com  
WEB: www.CamdenBoss.com

UNLESS OTHERWISE SPECIFIED:  
DIMENSIONS ARE IN MILLIMETERS

GENERAL TOLERANCES +/- 0.2

FINISH. FINE TEXTURE

MATERIAL. ABS

PROJECTION.

DO NOT SCALE DRAWING

REVISION.

TITLE: GENERAL DIMENSION DRAWING  
FOR TWO BUTTON CONTROL  
STATION

DWG NO. CCS05GY02

A4

	NAME	SIGNED	DATE
DRAWN	LEWIS LETCHFORD	LL	14/04/2014
CHKD	-	-	-

SCALE. 1:2

SHEET 1 OF 1