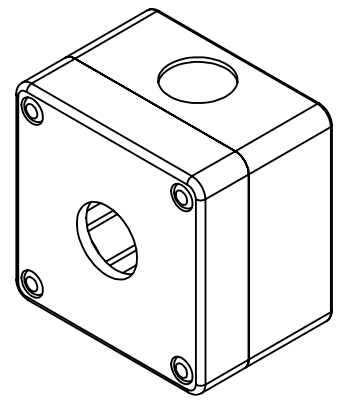


SECTION A-A
Cut-out Dimensions

SECTION B-B

ISO VIEW
1:2



CAMDENBOSS
ELECTRONICS & ENCLOSURES

JAMES CARTER RD, MILDENHALL, SUFFOLK. IP28 7DE
TEL: 01638 716101 FAX: 01638 716554
EMAIL: Sales@CamdenBoss.com
WEB: www.CamdenBoss.com

UNLESS OTHERWISE SPECIFIED:
DIMENSIONS ARE IN MILLIMETERS

GENERAL TOLERANCES +/- 0.2

FINISH. FINE TEXTURE

MATERIAL. ABS

PROJECTION.

DO NOT SCALE DRAWING	REVISION.
TITLE: GENERAL DIMENSION DRAWING FOR SINGLE BUTTON CONTROL STATION	
DWG NO. CCS00GY01	A4
SCALE: 1:2	SHEET 1 OF 1

	NAME	SIGNED	DATE
DRAWN	LEWIS LETCHFORD	LL	14/04/2014
CHKD	-	-	-