

1 2 3 4 5 6

A

A

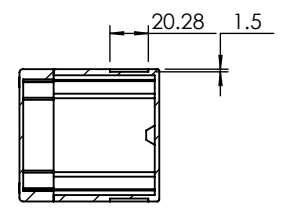
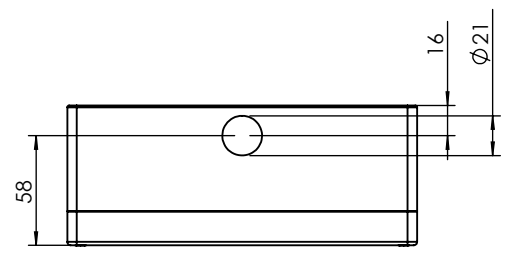
B

B

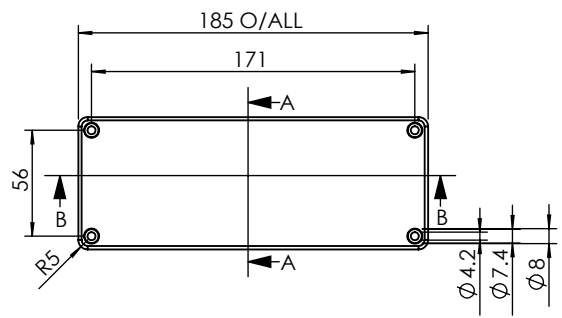
C

C

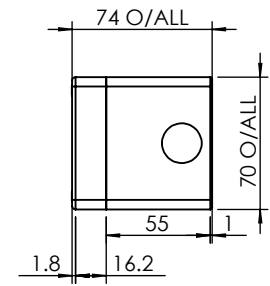
D



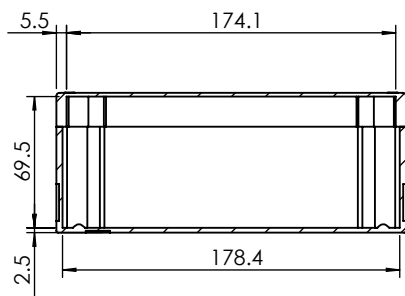
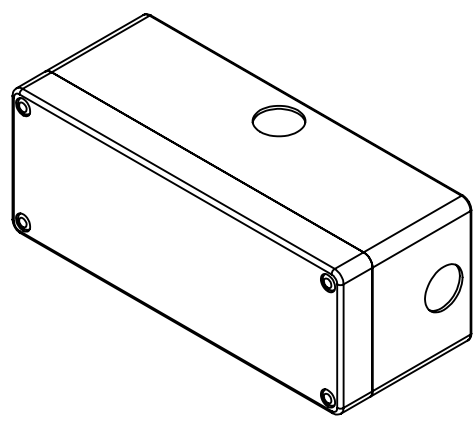
SECTION A-A



SECTION B-B



ISO VIEW
1:3



SECTION B-B

CAMDENBOSS
ELECTRONICS & ENCLOSURES
JAMES CARTER RD, MILDENHALL, SUFFOLK. IP28 7DE
TEL: 01638 716101 FAX: 01638 716554
EMAIL: Sales@CamdenBoss.com
WEB: www.CamdenBoss.com

UNLESS OTHERWISE SPECIFIED:
DIMENSIONS ARE IN MILLIMETERS
GENERAL TOLERANCES +/- 0.2
FINISH. FINE TEXTURE
MATERIAL. ABS

DO NOT SCALE DRAWING REVISION.
TITLE: GENERAL DIMENSION DRAWING
FOR STANDARD CONTROL
STATION ENCLOSURE
DWG NO. CCS10GY00 A4

	NAME	SIGNED	DATE
DRAWN	LEWIS LETCHFORD	LL	11/04/2014
CHK'D	-	-	-

PROJECTION.

SCALE. 1:4 SHEET 1 OF 1

1 2 3