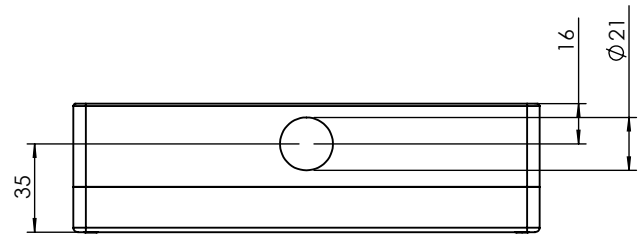


1 2 3 4 5 6

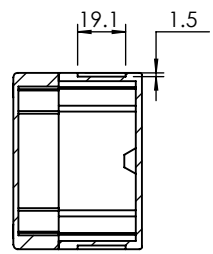
A

A

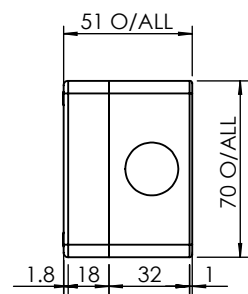
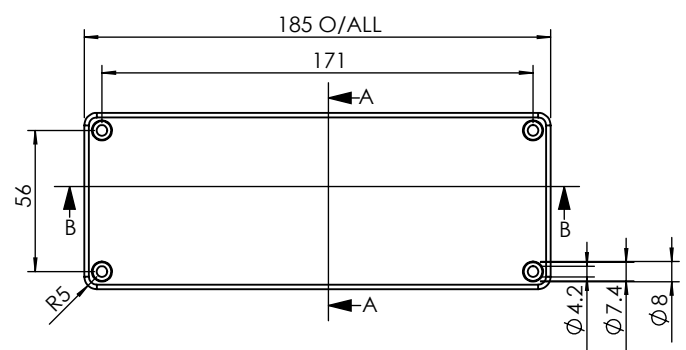


B

B

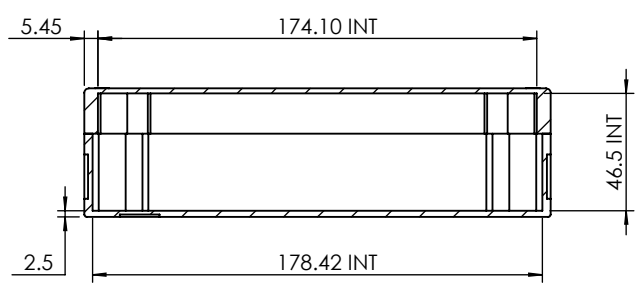


SECTION A-A
Cut-out Dimensions



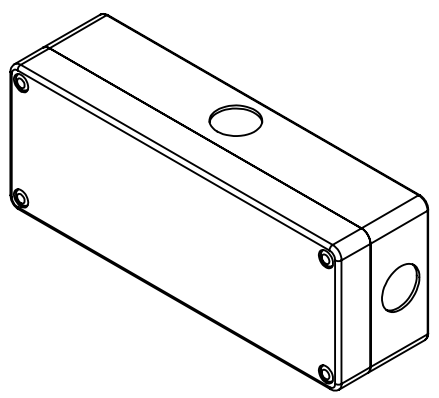
C

C



SECTION B-B

ISO VIEW
1:3



D

D

			UNLESS OTHERWISE SPECIFIED: DIMENSIONS ARE IN MILLIMETERS		DO NOT SCALE DRAWING	REVISION. <input type="checkbox"/>	
			GENERAL TOLERANCES +/- 0.2		TITLE: GENERAL DIMENSION DRAWING FOR STANDARD CONTROL STATION ENCLOSURE		
JAMES CARTER RD, MILDENHALL, SUFFOLK. IP28 7DE TEL: 01638 716101 FAX: 01638 716554 EMAIL: Sales@CamdenBoss.com WEB: www.CamdenBoss.com			FINISH. FINE TEXTURE		DWG NO. CCS09GY00	A4	
DRAWN	LEWIS LETCHFORD	SIGNED	LL	DATE	11/04/2014	MATERIAL. ABS	
CHKD	-	-	-	-	-	PROJECTION.	SCALE: 1:3
						SHEET 1 OF 1	

1 2 3