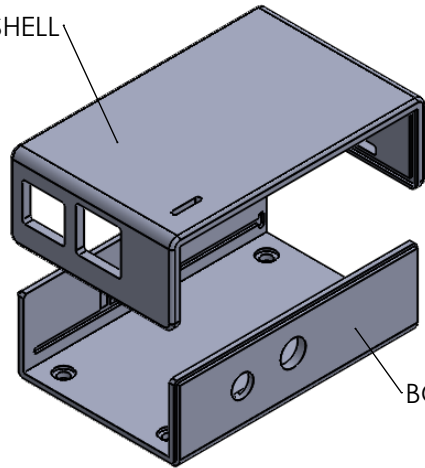
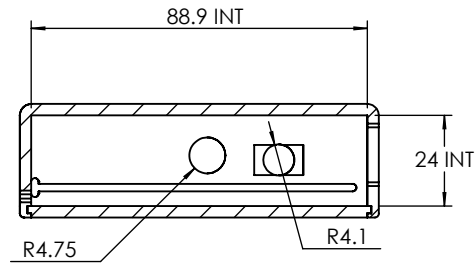


ISO VIEW
2:3

TOP U-SHELL



BOTTOM U-SHELL



<p>CAMDENBOSS ELECTRONICS & ENCLOSURES</p> <p>JAMES CARTER RD, MILDENHALL, SUFFOLK. IP28 7DE TEL: 01638 716101 FAX: 01638 716554 EMAIL: Sales@CamdenBoss.com WEB: www.CamdenBoss.com</p>				UNLESS OTHERWISE SPECIFIED: DIMENSIONS ARE IN MILLIMETERS		DO NOT SCALE DRAWING		REVISION. <input type="checkbox"/>			
				GENERAL TOLERANCES +/- 0.2		TITLE: GENERAL ASSEMBLY DRAWING FOR RASPBERRY PI ENCLOSURE CRYSTAL CLEAR					
DRAWN		NAME	SIGNED	DATE	FINISH. PETG		MATERIAL. 3MM THK VAR		DWG NO.	SCALE. 1:2	
CHKD		-	-	-	PROJECTION.		SHEET 1 OF 1		A4		