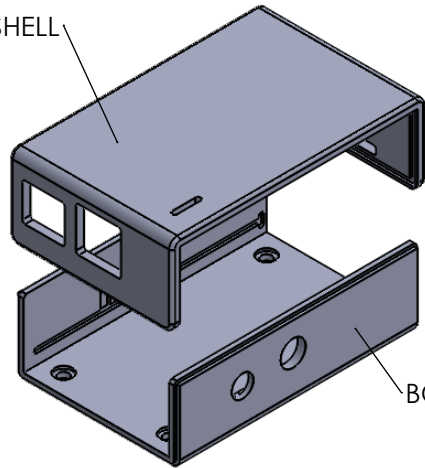
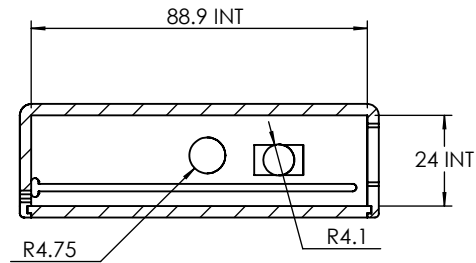


ISO VIEW
2:3

TOP U-SHELL



BOTTOM U-SHELL



SECTION B-B

<p>JAMES CARTER RD, MILDENHALL, SUFFOLK. IP28 7DE TEL: 01638 716101 FAX: 01638 716554 EMAIL: Sales@CamdenBoss.com WEB: www.CamdenBoss.com</p>				UNLESS OTHERWISE SPECIFIED: DIMENSIONS ARE IN MILLIMETERS		DO NOT SCALE DRAWING		REVISION. <input type="checkbox"/>	
				GENERAL TOLERANCES +/- 0.2		TITLE: GENERAL ASSEMBLY DRAWING FOR RASPBERRY PI ENCLOSURE CARBON FIBRE			
				FINISH. ACRYLIC-CAPPED ABS		DWG NO. CBRPI-AA-CAR			
				MATERIAL. 3MM THK VAR		SCALE. 1:2		SHEET 1 OF 1	
DRAWN	LEWIS LETCHFORD	L.L.	02/04/2014	PROJECTION.					
CHK'D	-	-	-						