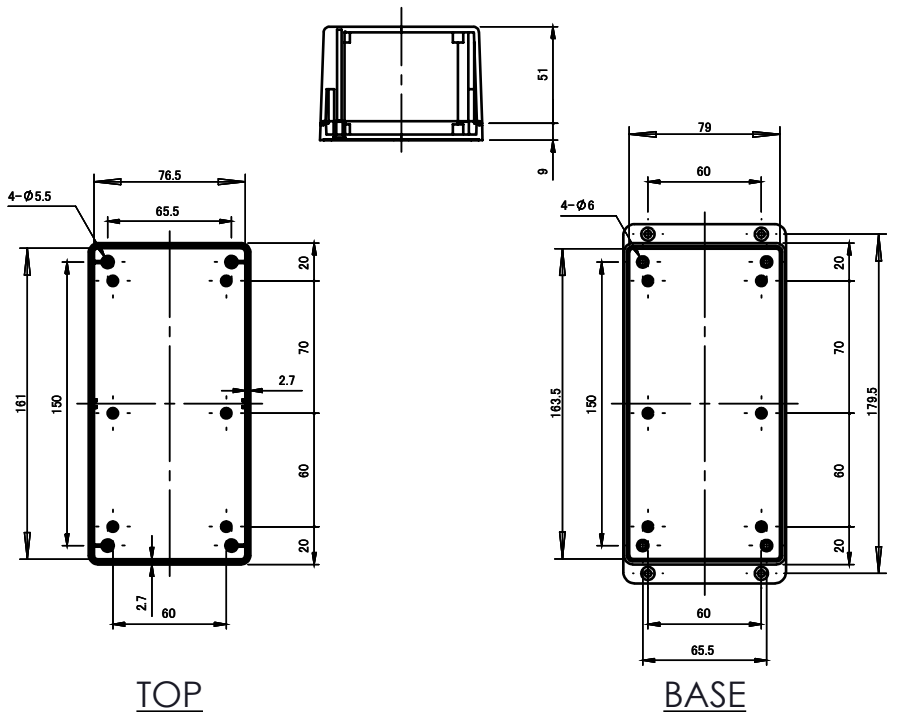
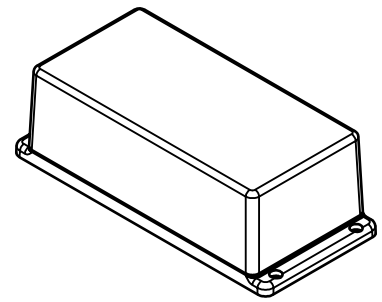


ISO VIEW
1:4



<p>CAMDENBOSS ELECTRONICS & ENCLOSURES</p> <p>JAMES CARTER RD, MILDENHALL, SUFFOLK. IP28 7DE TEL: 01638 716101 FAX: 01638 716554 EMAIL: Sales@CamdenBoss.com WEB: www.CamdenBoss.com</p>		UNLESS OTHERWISE SPECIFIED: DIMENSIONS ARE IN MILLIMETERS		DO NOT SCALE DRAWING		REVISION. <input type="checkbox"/>	
		GENERAL TOLERANCES +/- 0.2		TITLE: 83 SERIES PLASTIC FLANGED CASES, WHITE, 190x86x60			
		FINISH. FINE TEXTURE		MATERIAL. ABS UL94-V0		DWG NO. CUE8316WH	
DRAWN LEWIS LETCHFORD		SIGNED LL		DATE 11/02/2014		SCALE. 1:4	
CHKD -				PROJECTION.		SHEET 1 OF 1	

A4