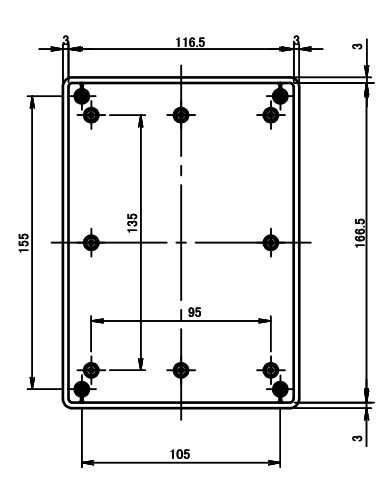
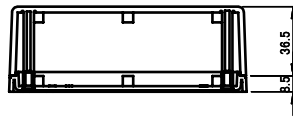
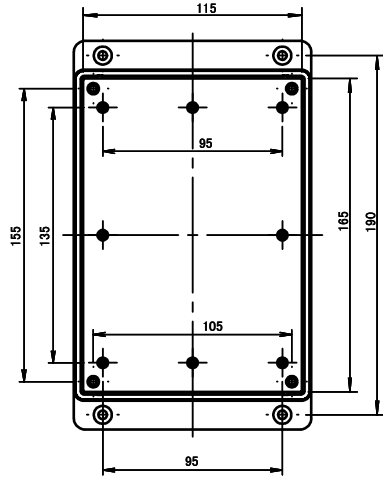


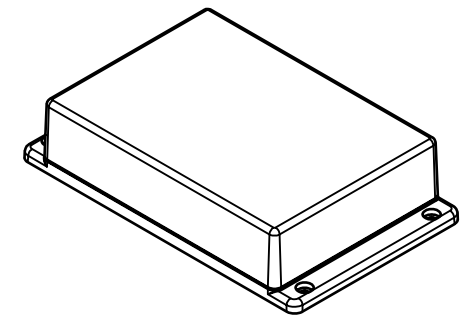
ISO VIEW
1:4



TOP



BASE



CAMDENBOSS
ELECTRONICS & ENCLOSURES
JAMES CARTER RD, MILDENHALL, SUFFOLK. IP28 7DE
TEL: 01638 716101 FAX: 01638 716554
EMAIL: Sales@CamdenBoss.com
WEB: www.CamdenBoss.com

UNLESS OTHERWISE SPECIFIED:
DIMENSIONS ARE IN MILLIMETERS
GENERAL TOLERANCES +/- 0.2
FINISH. FINE TEXTURE
MATERIAL. ABS UL94-V0

DO NOT SCALE DRAWING
REVISION.
TITLE: 83 SERIES PLASTIC FLANGED CASES, DARK GREY, 205.6x125.6x45
DWG NO. CUE8322DG

	NAME	SIGNED	DATE
DRAWN	LEWIS LETCHFORD	LL	11/02/2014
CHK'D	-	-	-

PROJECTION.

SCALE. 1:4
SHEET 1 OF 1
A4